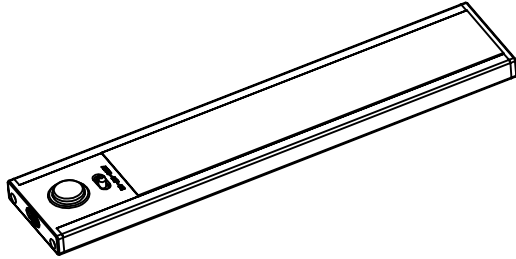


PORTABLE CABINET LIGHT



Specifications

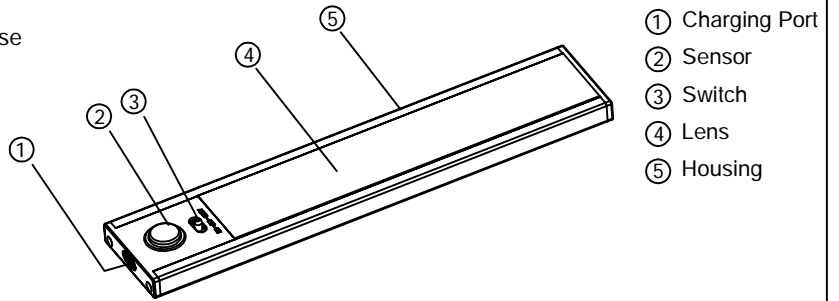
Battery	Rechargeable battery
LED	2835 SMD
CCT	3500K or 4000K or 5000K
Sensor	120 degree wide-angle detecting, sensing Range 1-3 m
Working Mode	Auto Mode
Working Time	Light up for more than 30 seconds when someone passes by in auto mode
Installation	screw spike or 3M adhesive

Instruction Manual

Please read the manual carefully before use

Installation Manual

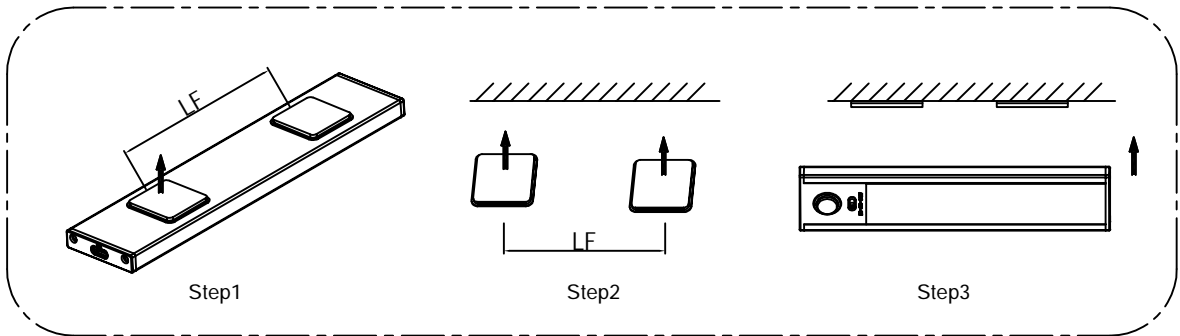
Product Name: Portable cabinet light
 Power Source: Rechargeable battery
 Material: Metal+PC
 Application Area: beside table, cabinet, anywhere that main lighting is not needed



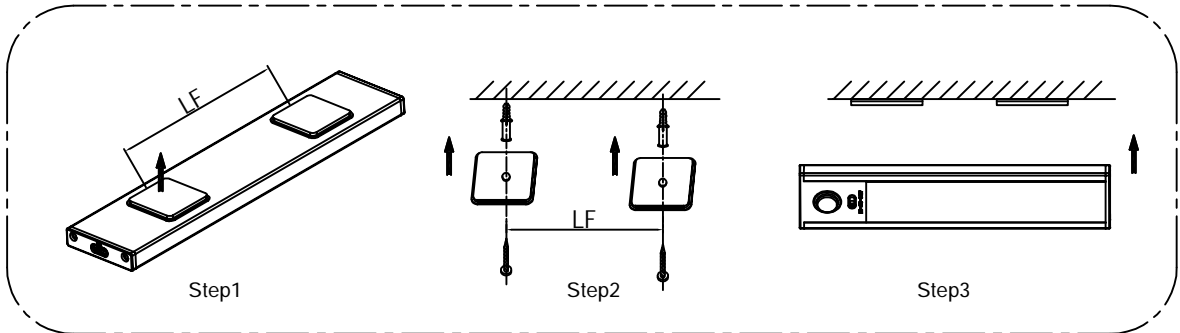
- ① Charging Port
- ② Sensor
- ③ Switch
- ④ Lens
- ⑤ Housing

Installation Diagram

Two installation methods, as follows.



(1) Fix the light with 3M adhesive: 1. Unscrew the mounting cover 2. Attach 3M adhesive to the surface of the mounting cover and bond it to the position where it needs to be installed. 3. Screw on the main body to fix the light



(2) Fix the light with screw spike: 1. Unscrew the mounting cover 2. Install the expansion tube at the position to be installed, and the screw spike is fixed to the expansion tube through the mounting cover 3. Screw on the main body to fix the light