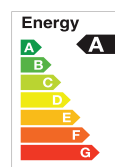
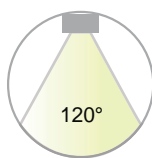


LED RETROFIT KIT

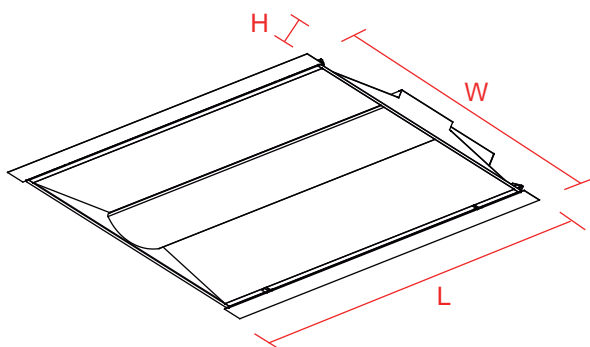


RoHS

Features & Benefits

1. 125lm/w for options.
2. Die formed of 0.5mm cold-rolled steel body.
3. 0-10v dimming, universal voltage: 100-277v.
4. Wide application for: school, hospital, super market, office and warehouse.
5. Fully recessed luminaire fits standard T-Grid ceilings.
6. High-diffusion light-milky PC diffuser .
7. 5-year warranty.

Product Dimension



| Model | LxWxH |
|-------------|--|
| HG-L249R-22 | 609x609x57.5(mm)/23.98"x23.98"x2.26" |
| HG-L249R-24 | 1210x609x57.5 (mm)/47.64"x23.98"x2.26" |

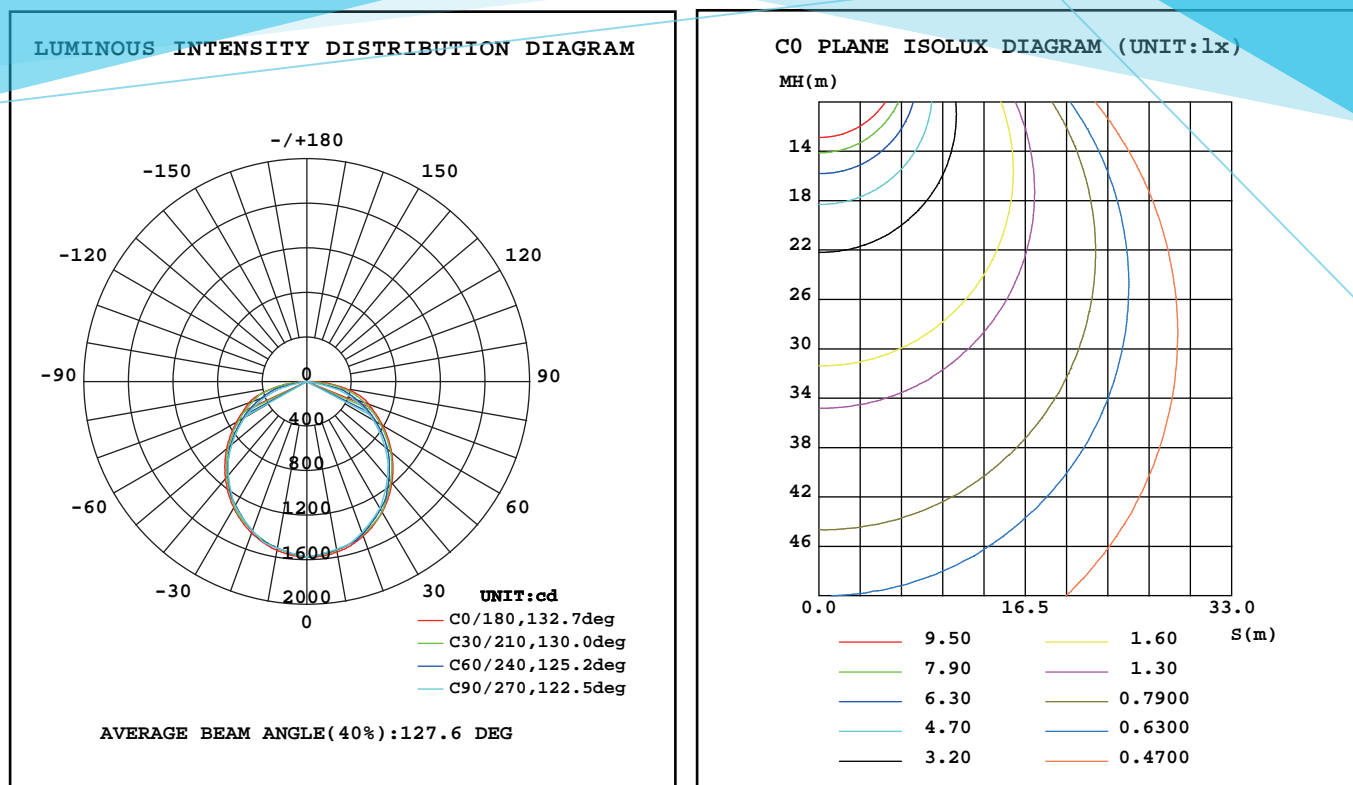
Specification

| Part No. | Power | Input Voltage | Luminous Flux | Luminous Efficacy | CCT | Viewing Angle | Ra | PF | Warranty |
|-------------|-------------|---------------|---------------|-------------------|-------------------------|---------------|-----|------|----------|
| HG-L249R-22 | 15W/20W/30W | AC100-277V | 3750lm | 125lm/W | 3500K 4000K 5000K | 120° | >80 | >0.9 | 5Years |
| HG-L249R-24 | 20W/25W/35W | | 4375lm | | | | | | |

The following multiple functions can be achieved according to customers' requests:

1. CCT options: 3500K, 4000K, 5000K.
2. Available with external or built-in microwave motion sensor.
3. Emergency: the power is 8W, it can still work in 1.5hrs while emergency situation.

Testing Report



Applications



Office



Bank



Library



Supermarket

OPTION

WATT

| | | | |
|--------------------------|--------------------------|--------------------------|-------------------------------------|
| <input type="checkbox"/> | <input type="checkbox"/> | <input type="checkbox"/> | <input checked="" type="checkbox"/> |
| 24W | 36W | 42W | 50W |
| pre-set watt: 50W | | | |

↓

WATT CHANGING: 24W/36W /42W /50W

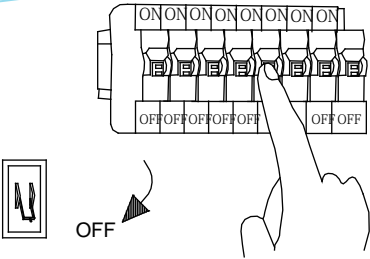
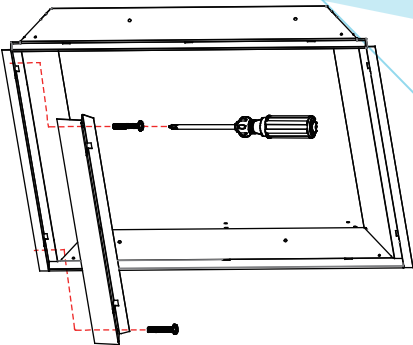
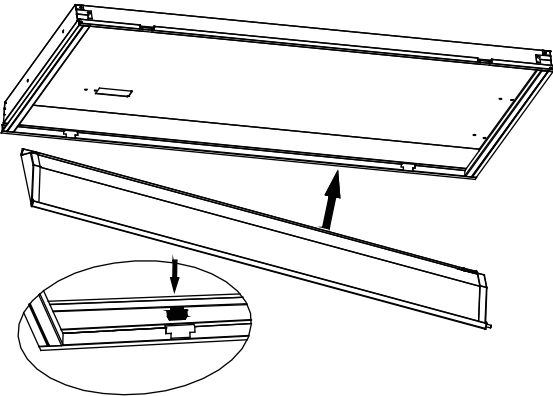
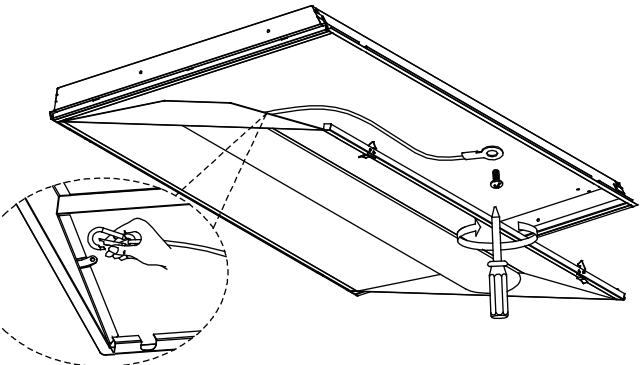
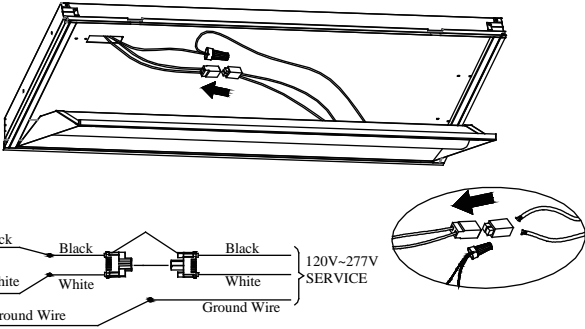
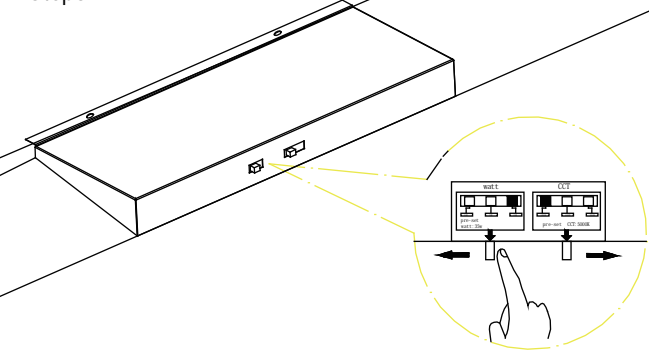
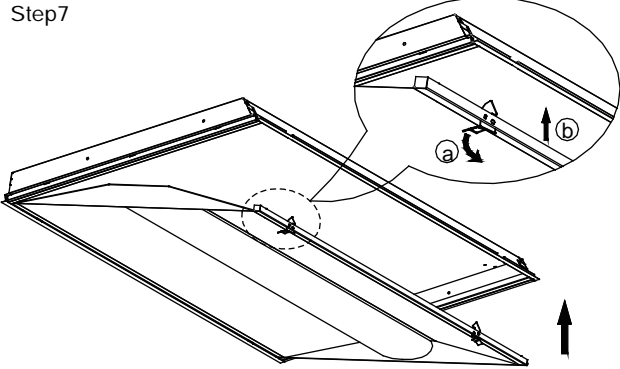
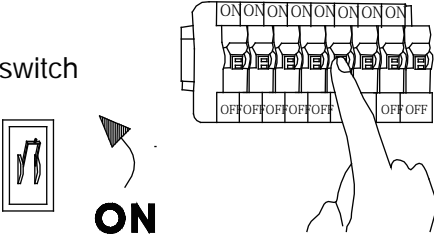
CCT

| | | |
|--------------------------|--------------------------|-------------------------------------|
| <input type="checkbox"/> | <input type="checkbox"/> | <input checked="" type="checkbox"/> |
| 3500K | 4000K | 5000K |
| pre-set CCT: 5000K | | |

↓

CCT CHANGING: 3500K/4000K/5000K

Installation manual

| | |
|--|---|
| <p>Step1</p>  <p>Turn off the switch</p> | <p>Step2</p>  |
| <p>Step3</p>  | <p>Step4</p>  |
| <p>Step5</p>  <p>Black — Black — Black } 120V-277V White — White — White } SERVICE Ground Wire — Ground Wire</p> | <p>Step6</p>  |
| <p>Step7</p>  | <p>Step8</p> <p>Turn on the switch</p>  |

Important

Read this instruction carefully before installation. Keep it for further reference.
 Make electrical and grounded connections in accordance with the national electrical code and any applicable code. Always turn off the power supply before installation.
 This product must be installed in accordance with the applicable installation code by a qualified electrician who is familiar with the construction and operation of the product and the hazards involved.

WARNING:

- ⚠ Risk of fire or electric shock. Fixture installation requires knowledge of luminaire electrical systems. If not qualified, DO NOT attempt installation. Contact a qualified electrician.
- ⚠ Risk of fire or electric shock. Suitable for wet locations. Always turn off the power supply before installation.
- ⚠ Risk of fire or electric shock. Suitable for non-insulated surface and frame. DO NOT cover fixture with insulation liner or similar material.
- ⚠ DO NOT install fixture on unstable, loose or easily breakable surface.
- ⚠ DO NOT exert force on the surface of the fixture.

Packing /weight

| Model No. | Outer box (L*W*H) | Qty/Ctn (pcs) | N.W/pcs (lbs/Kg) | G.W/Ctn (lbs/Kg) |
|-------------|--|------------------|---------------------|---------------------|
| HG-L249R-22 | 25.2"x6.1"x23.23" 640 x 155 x 590mm | 2 | 6.38/2.9 | 15.4/7 |
| HG-L249R-24 | 49.21"x6.1"x23.23" 1250 x 155 x 590mm | 2 | 13.2/6 | 31.9/14.5 |

Note

- 1.The installation and maintenance must be completed by electricians or professionals.
- 2.Please cut off the power before installation and maintenance.
- 3.The thermally insulating material is not allowed to cover the fixture.
- 4.Please keep away from the corrosive substance, and keep the fixture dry and clean.
- 5.Working temperature: -4°F~113°F, storage temperature: -22°F~140°F.