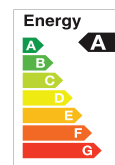
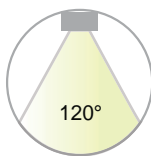




# LED TROFFER



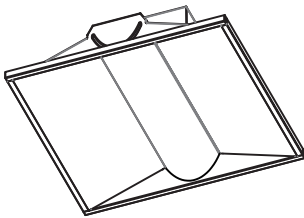
**RoHS**



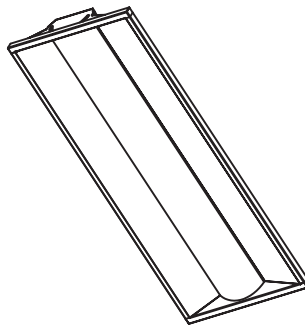
### Features & Benefits

- 1. 125 lm/w for options.
- 2. Die formed of 0.5mm cold-rolled steel body.
- 3. 0-10v dimming, universal voltage: 120-277V/120-347V.
- 4. Wide application for: school, hospital, super market, office and warehouse.
- 5. Fully recessed luminaire fits standard T-Grid ceilings.
- 6. High-diffusion light-milky PC diffuser .
- 7. 5-year warranty.

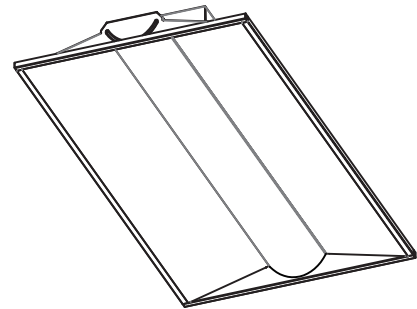
### Product Dimension



HG-L249C-22



HG-L249C-14



HG-L249C-24

Model	L×W×H
HG-L249C-22	603x603x55 (mm) 23.74"x23.74"x2.17"
HG-L249C-14	1213x303x55 (mm) 47.76"x11.93"x2.17"
HG-L249C-24	1213x603x55 (mm) 47.76"x23.74"x2.17"



## Specification

SN: WITH SENSOR

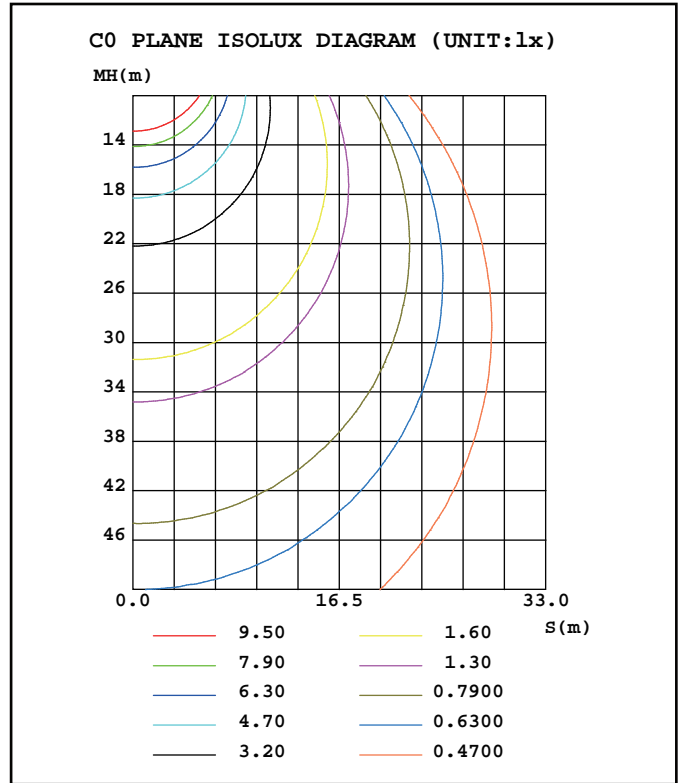
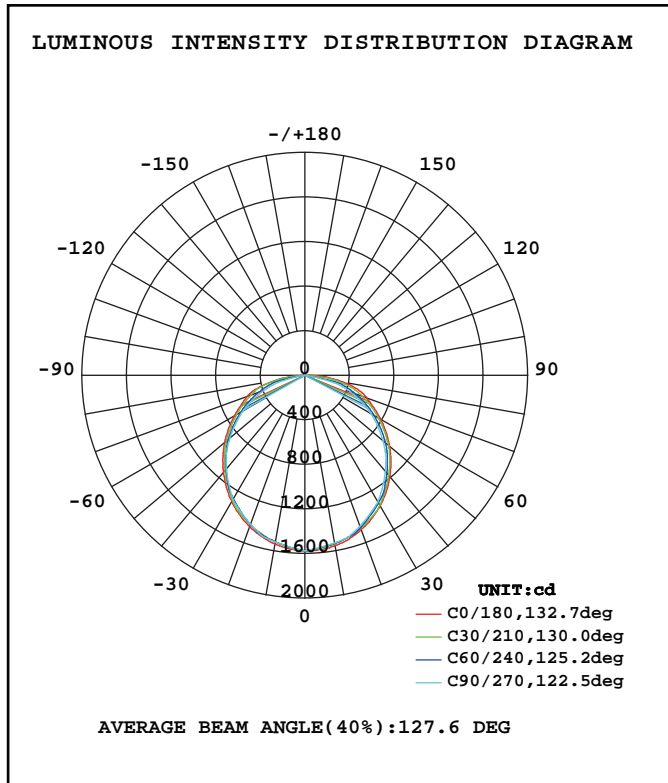
Part No.	Power	Input Voltage	Luminous Flux	Luminous Efficacy	CCT	Viewing Angle	Ra	PF	Warranty
HG-L249C-22/20W	20W	AC120-277V/ AC120-347V	2500lm	125 lm/W	3000K 3500K 4000K 5000K	120 °	>80	>0.9	5Years
HG-L249C-22/30W	30W		3750lm						
HG-L249C-22/35W	35W		4375lm						
HG-L249C-24/30W	30W		3750lm						
HG-L249C-24/40W	40W		5000lm						
HG-L249C-24/50W	50W		6250lm						
HG-L249C-24/60W	60W		7500lm						
HG-L249C-24/72W	72W		9000lm						
HG-L249C-22/20W/30W/35W	20W/30W/35W		4375lm						
HG-L249C-24/30W/40W/50W	30W/40W/50W		6250lm						
HG-L249C-24/50W/60W/72W	50W/60W/72W		9000lm						
HG-L249C-22/20W-SN	20W		2500lm						
HG-L249C-22/30W-SN	30W		3750lm						
HG-L249C-22/35W-SN	35W		4375lm						
HG-L249C-24/30W-SN	30W		3750lm						
HG-L249C-24/40W-SN	40W		5000lm						
HG-L249C-24/50W-SN	50W		6250lm						
HG-L249C-24/60W-SN	60W		7500lm						
HG-L249C-24/72W-SN	72W		9000lm						
HG-L249C-22/20W/30W/35W-SN	20W/30W/35W		4375lm						
HG-L249C-24/30W/40W/50W-SN	30W/40W/50W		6250lm						
HG-L249C-24/50W/60W/72W-SN	50W/60W/72W		9000lm						
HG-L249C-14/30W	30W		3750lm						
HG-L249C-14/40W	40W		5000lm						
HG-L249C-14/50W	50W		6250lm						
HG-L249C-14/30W/40W/50W	30W/40W/50W		6250lm						
HG-L249C-14/30W-SN	30W		3750lm						
HG-L249C-14/40W-SN	40W		5000lm						
HG-L249C-14/50W-SN	50W	6250lm							
HG-L249C-14/30W/40W/50W-SN	30W/40W/50W	6250lm							

The following multiple functions can be achieved according to customers' requests:

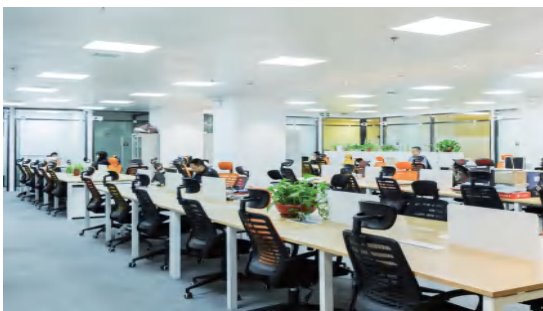
1. CCT options: 3000K,3500K, 4000K, 5000K.
2. Available with external or built-in microwave motion sensor.
3. Emergency: the power is 8W, it can still work in 1.5hrs while emergency situation.



### Testing Report



### Applications



Office



Bank



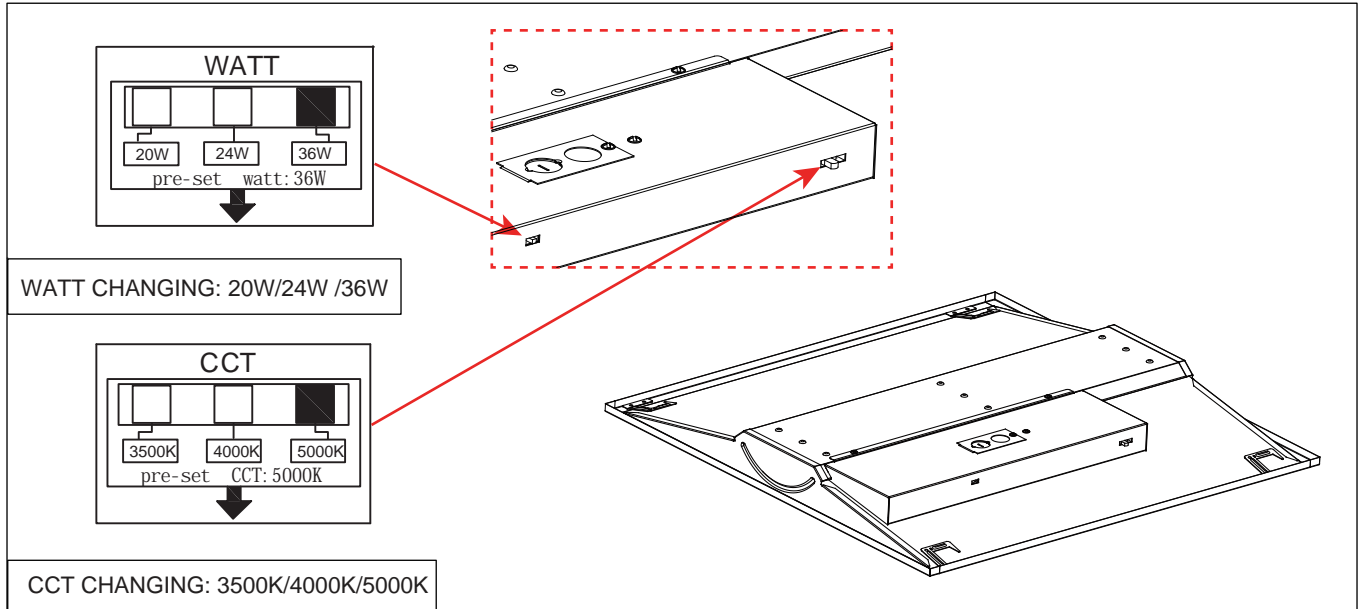
Library



Supermarket

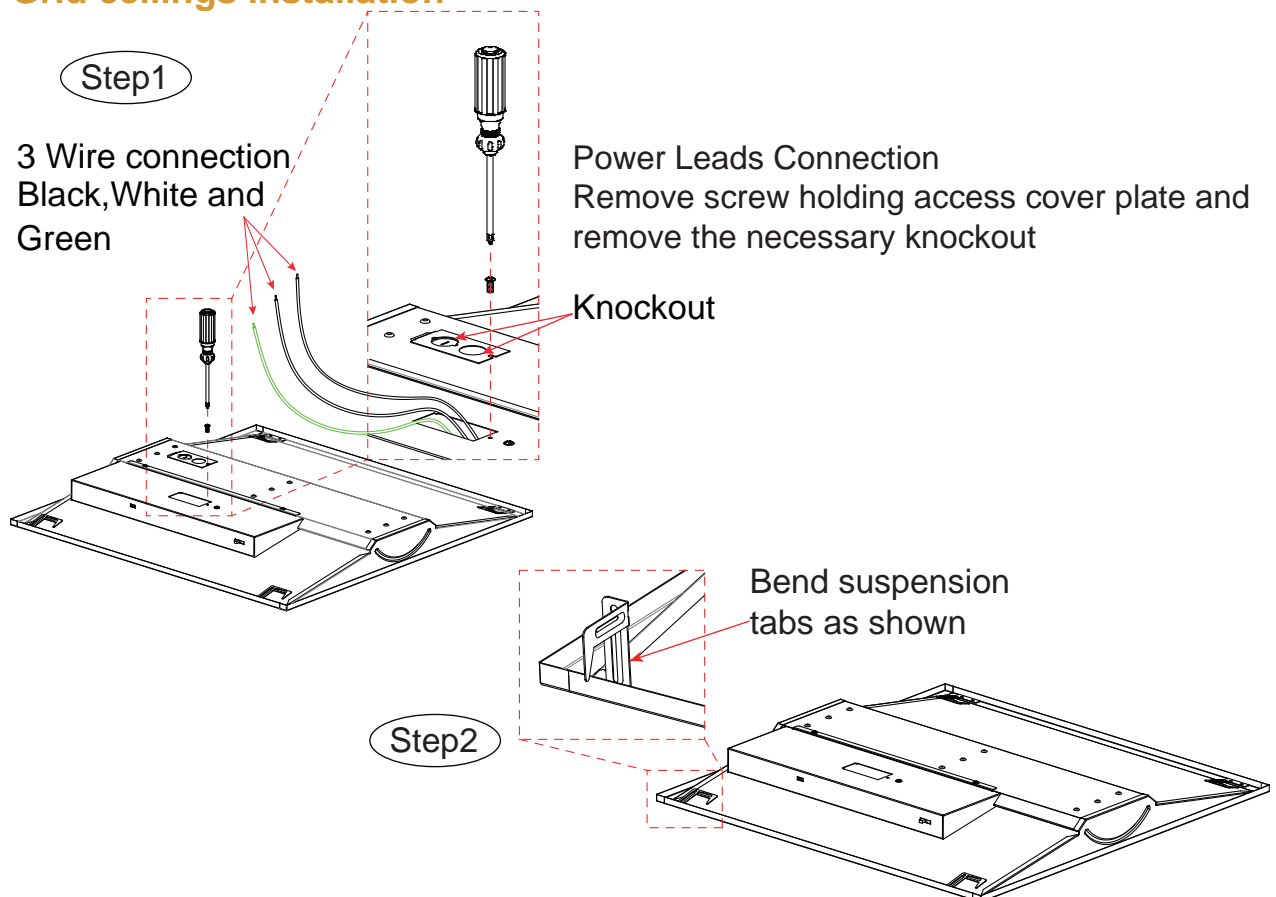


### OPTION



### Installation manual

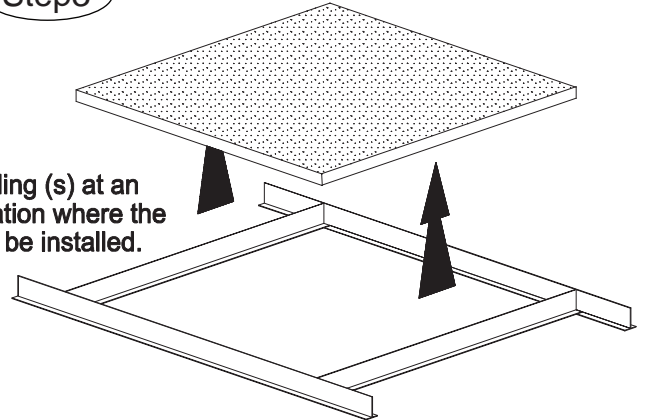
#### A.T-Grid ceilings installation





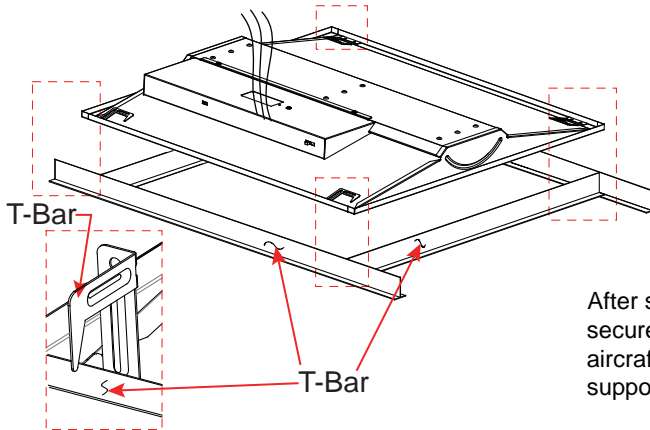
Step3

Remove the ceiling (s) at an appropriate location where the light fixture is to be installed.



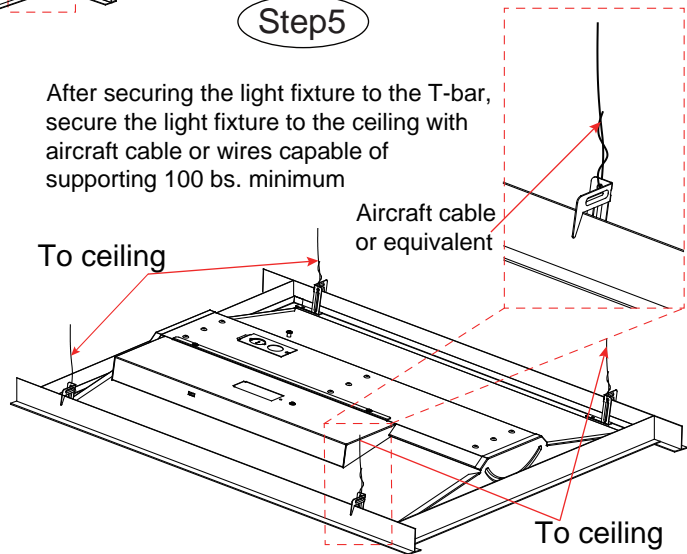
Step4

Set light fixture into the suspension with tabs. Hang over the T-bar as shown.

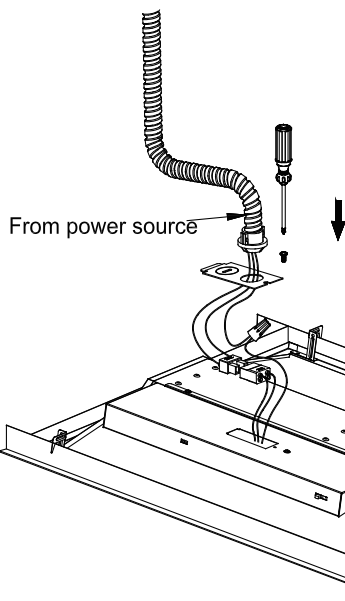


Step5

After securing the light fixture to the T-bar, secure the light fixture to the ceiling with aircraft cable or wires capable of supporting 100 bs. minimum



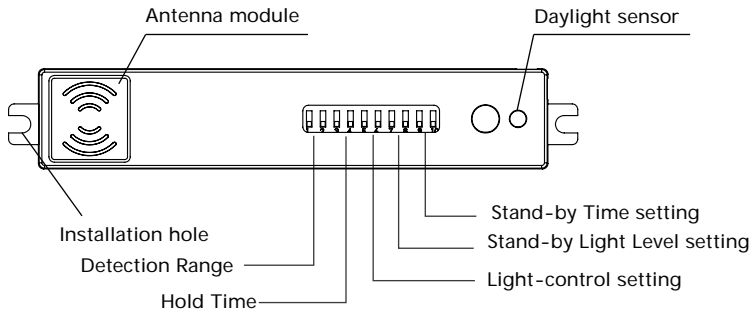
Step6



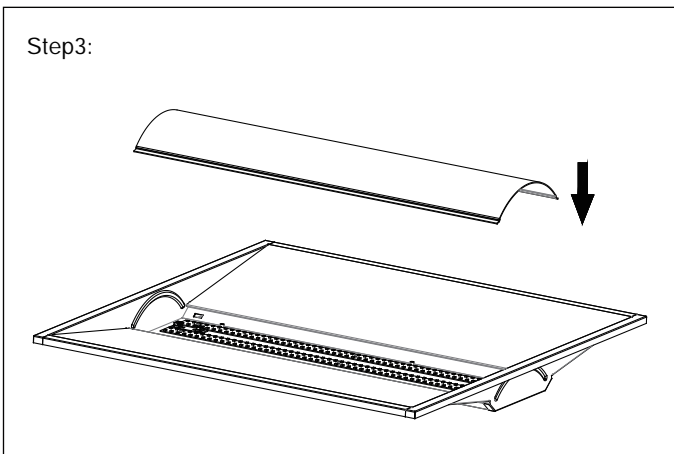
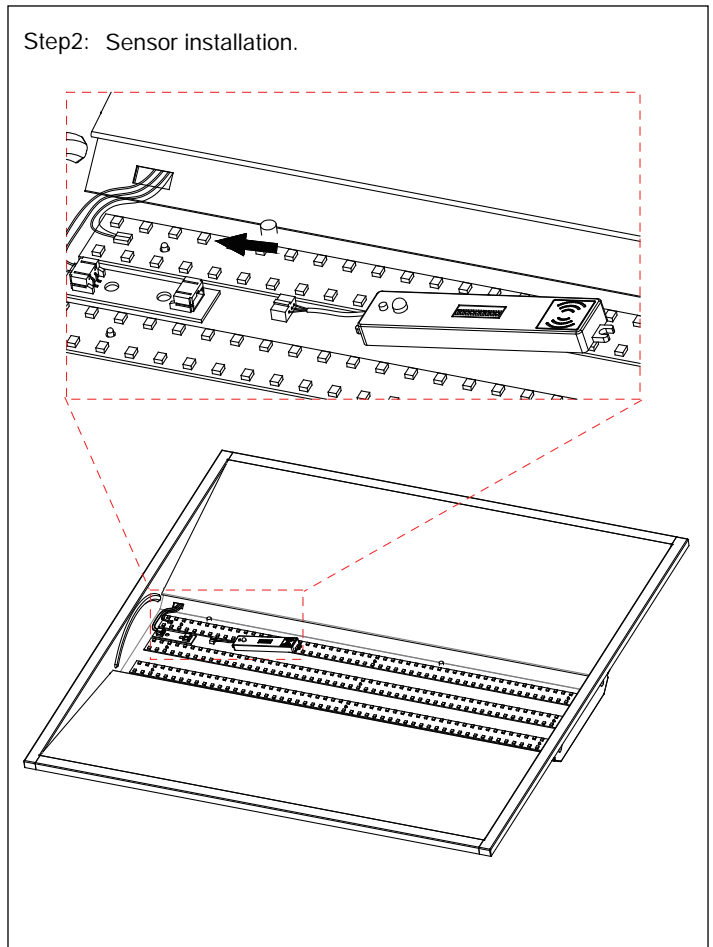
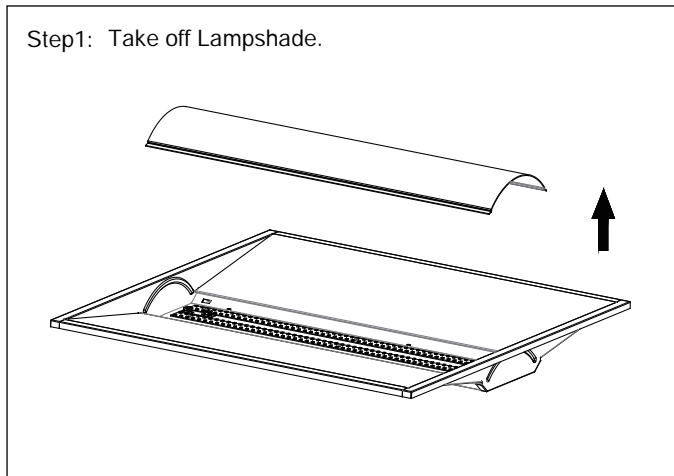
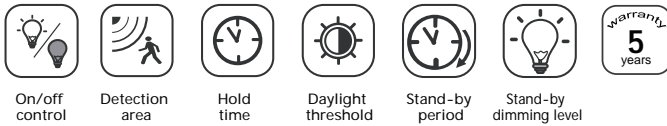
Connect cable wires with appropriate relief strain and wire connectors ( not provided). Make sure ALL wires are tucked in before reinstalling the cover plate.

USE WIRE NUTS TO COVER UNUSED WIRES

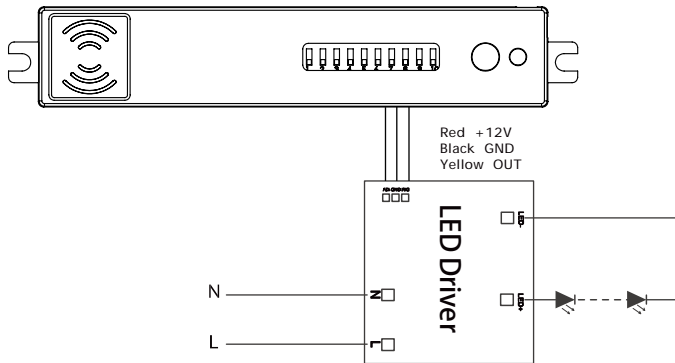
### B.Sensor installation



ANT-7



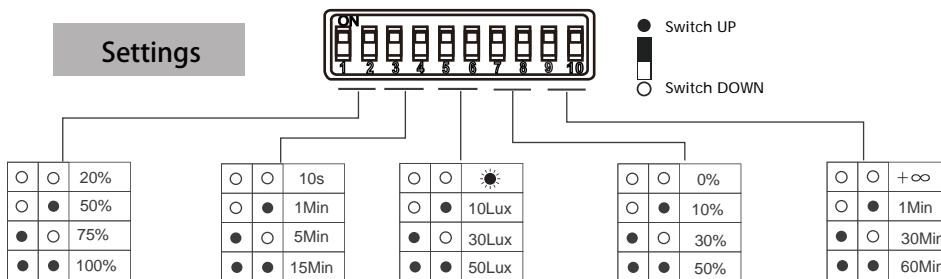
### Wiring diagram



### Technical data

Operating voltage	12VDC
Operating current	>50mA
Output	0-10V
Stand-by power	≤0.5W
Detection area	50%/100%
Hold time	5s/30s/1min/10min
Daylight threshold	2Lux/10Lux/50Lux/Disable
Stand-by period	0s/30s/20min/+∞
Stand-by dimming level	10%/20%/30%/50%
Microwave frequency	5.8GHz±75MHz
Microwave power	<0.3mW
Mounting height	Max 4m/13ft (ceiling mounted)
Detection range	Max 5.2m/17ft (ceiling mounted)
Operating temperature	-20°C ~ +60°C
Motion detection	0.5-1.5m/s
IP rating	IP20
Warranty	5 years

### Settings



#### Detection area

In this area, movement will be detected and able to trigger the sensor. 100% detection area is also known as the strong sensitivity.

#### Hold-time

The period of light keeping 100% brightness after moving objects leave the detection area.

#### Light-contror setting

Definition of the ambient brightness; only when the ambient brightness is lower than the preset specific lux amount, the sensor will work; when it's preset as "☀", the sensor works everytime it detects motion regardless the ambient brightness.

#### Stand-by Light Level Setting

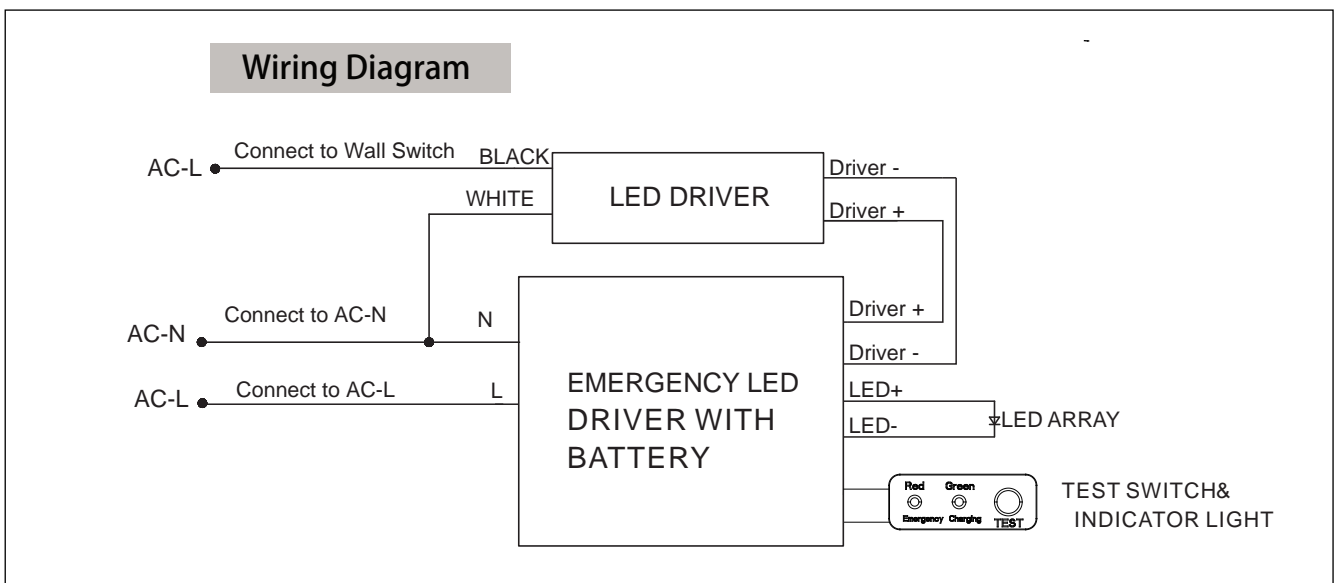
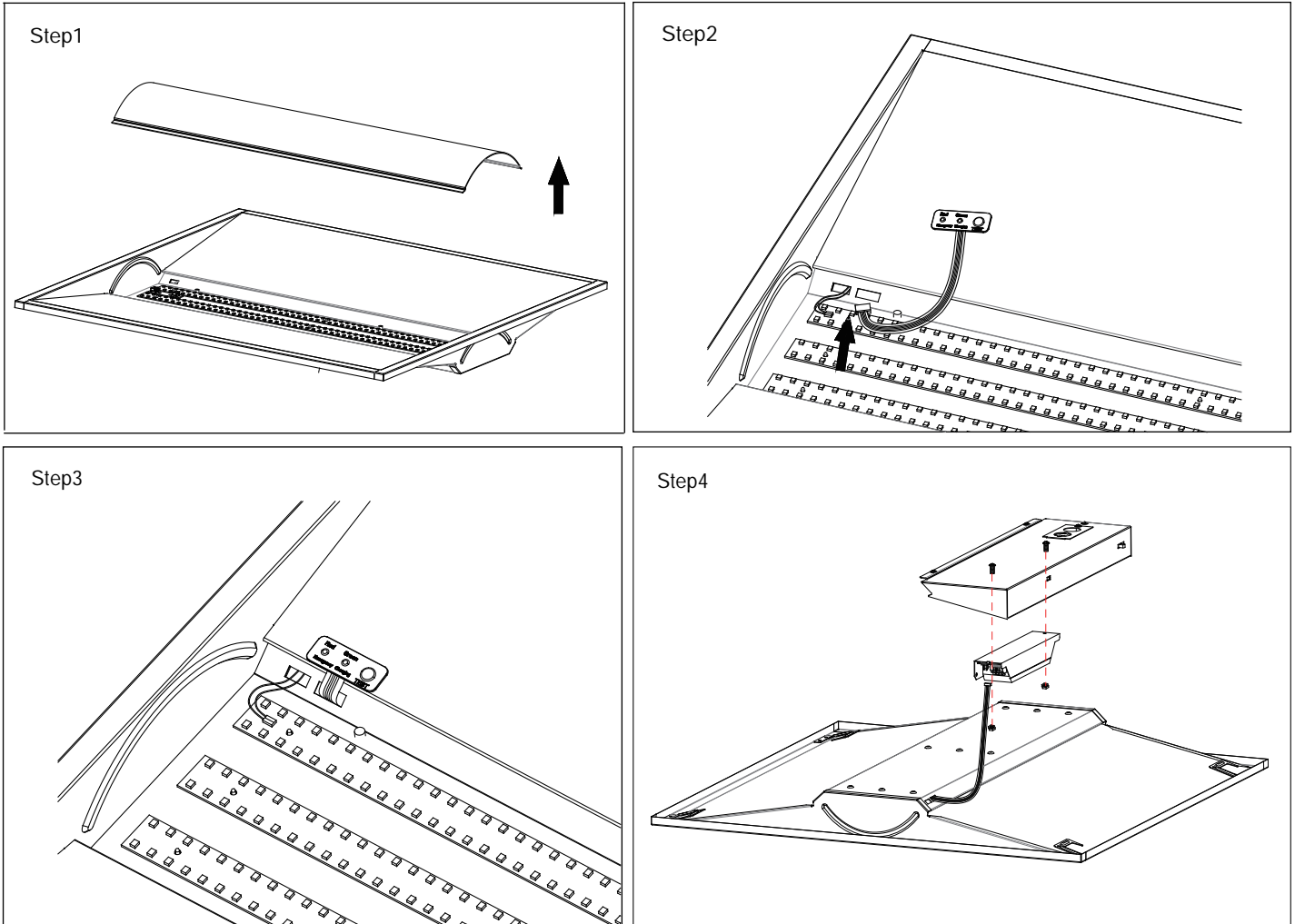
The definition of low output in the standby period.

#### Stand-by Time setting

The period of light keeping low output before it's completely switched off. When it's preset as "∞", the light always keep at low output if no movement in the detection area and doesn't turn off.



**C. Emergency installation**





### Important

Read this instruction carefully before installation. Keep it for further reference. Make electrical and grounded connections in accordance with the national electrical code and any applicable code. Always turn off the power supply before installation. This product must be installed in accordance with the applicable installation code by a qualified electrician who is familiar with the construction and operation of the product and the hazards involved.

**WARNING:**

- ⚠ Risk of fire or electric shock. Fixture installation requires knowledge of luminaires electrical systems. If not qualified, DO NOT attempt installation. Contact a qualified electrician.
- ⚠ Risk of fire or electric shock. Suitable for wet locations. Always turn off the power supply before installation.
- ⚠ Risk of fire or electric shock. Suitable for non-insulated surface and frame. DO NOT cover fixture with insulation liner or similar material.
- ⚠ DO NOT install fixture on unstable, loose or easily breakable surface.
- ⚠ DO NOT exert force on the surface of the fixture.

### Packing /weight

Model No.	Outer box (L*W*H)	Qty/Ctn (pcs)	N.W/pcs (lbs/Kg)	G.W/Ctn (lbs/Kg)
HG-L249C-22	25.4"x4.92"x25.59" 645 x 125 x 650mm	2	7.04/3.2	16.3/7.4
HG-L249C-24	25.4"x4.13"x49.21" 645 x 125 x 1250mm	2	13.2/6	31.9/14.5
HG-L249C-14	13.6"x4.13"x49.21" 345 x 125 x 1250mm	2	9.9/4.5	22.2/10.1

### Note

- 1.The installation and maintenance must be completed by electricians or professionals.
- 2.Please cut off the power before installation and maintenance.
- 3.The thermally insulating material is not allowed to cover the fixture.
- 4.Please keep away from the corrosive substance, and keep the fixture dry and clean.
- 5.Working temperature: -4°F~113°F, storage temperature: -22°F~140°F.