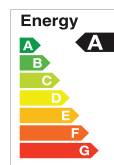
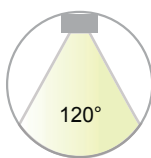


LED LINEAR HIGH BAY

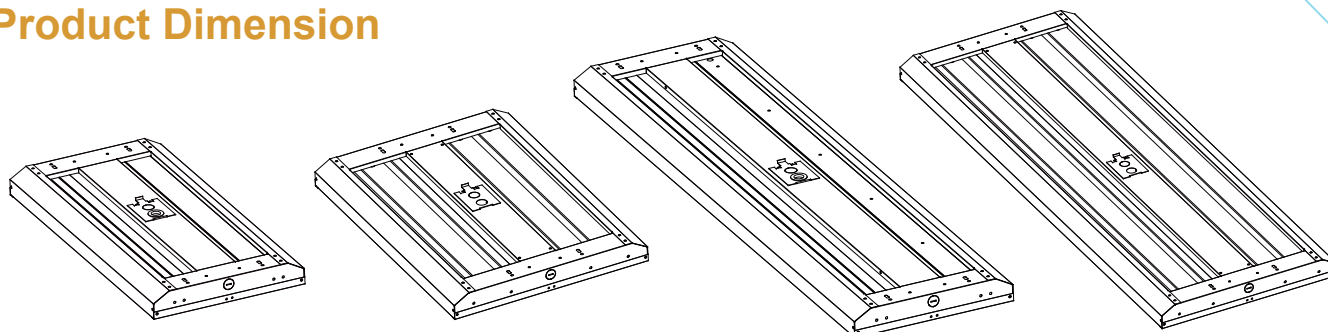


RoHS

Features & Benefits

1. 130lm/w for options.
2. Die formed of 0.6mm cold-rolled steel body.
3. 0-10v dimming, universal voltage: 100-277v.
4. Available with suspending installation and surface-mounted installation.
5. High-diffusion light-milky PS diffuser .
6. 5-year warranty.

Product Dimension



HG-L225-2FT/80W/100W/140W

HG-L225-2FT/165W/220W

HG-L225-4FT/165W/225W

HG-L225-4FT/325W

Model	L×W×H
HG-L225-2FT/80W/100W/140W	605x320x52.5 (mm)/23.82"x12.6"x2.07"
HG-L225-2FT/165W/220W	605x440x52.5 (mm)/23.82"x17.32"x2.07"
HG-L225-4FT/165W/225W	1165x320x52.5 (mm)/45.87"x12.6"x2.07"
HG-L225-4FT/325W	1165x440x52.5 (mm)/45.87"x17.32"x2.07"

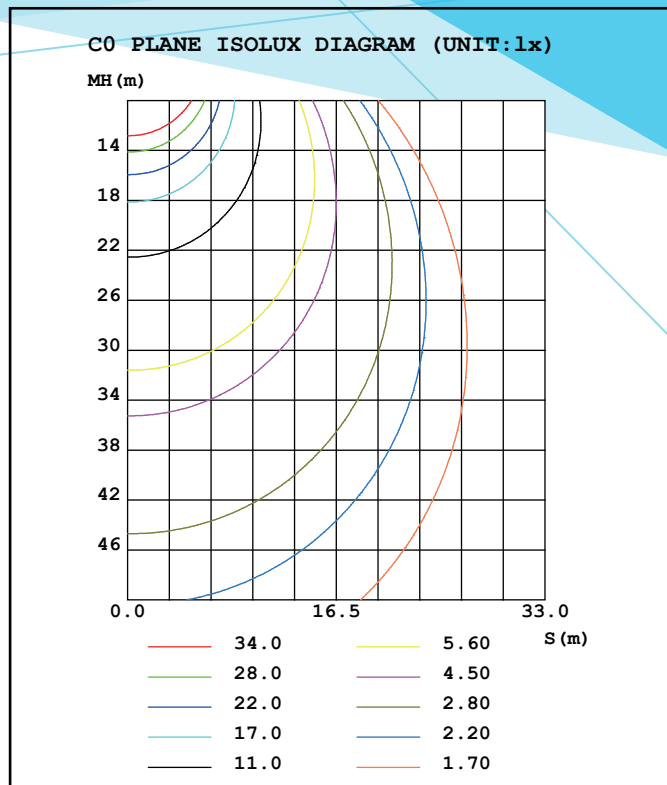
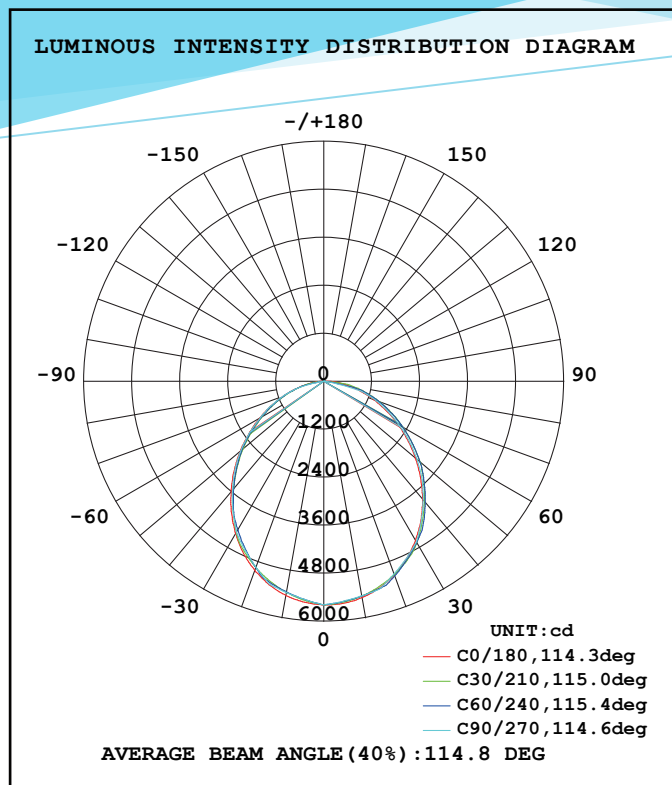
Specification

Part No.	Power	Input Voltage	Luminous Flux	Luminous Efficacy	CCT	Viewing Angle	Ra	PF	Warranty
HG-L225-80W/2FT	80W	AC100-277V	10400lm	130lm/W	3500K 4000K 5000K	120°	>80	>0.9	5Years
HG-L225-100W/2FT	100W		13000lm						
HG-L225-140W/2FT	140W		18200lm						
HG-L225-165W/2FT	165W		21450lm						
HG-L225-220W/2FT	220W		28600lm						
HG-L225-165W/4FT	165W		21450lm						
HG-L225-225W/4FT	225W		29250lm						
HG-L225-325W/4FT	325W		42250lm						

The following multiple functions can be achieved according to customers' requests:

1. CCT options: 3500K, 4000K, 5000K.
2. Available with external microwave motion sensor.

Testing Report



Applications

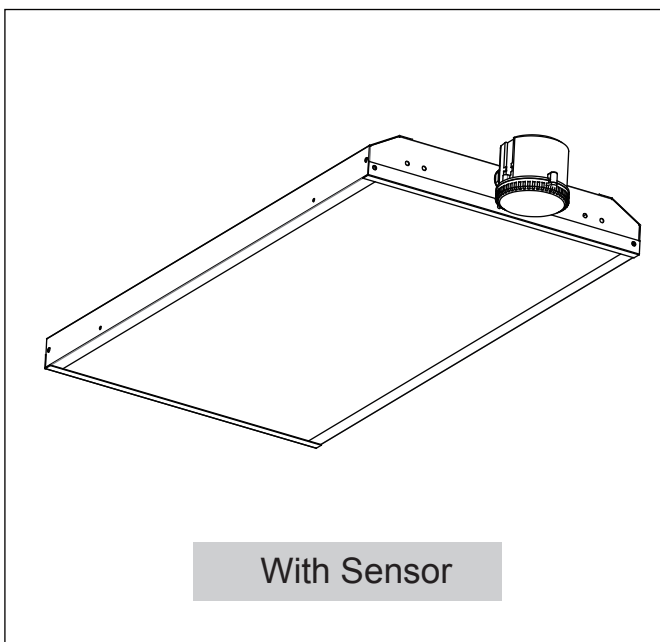
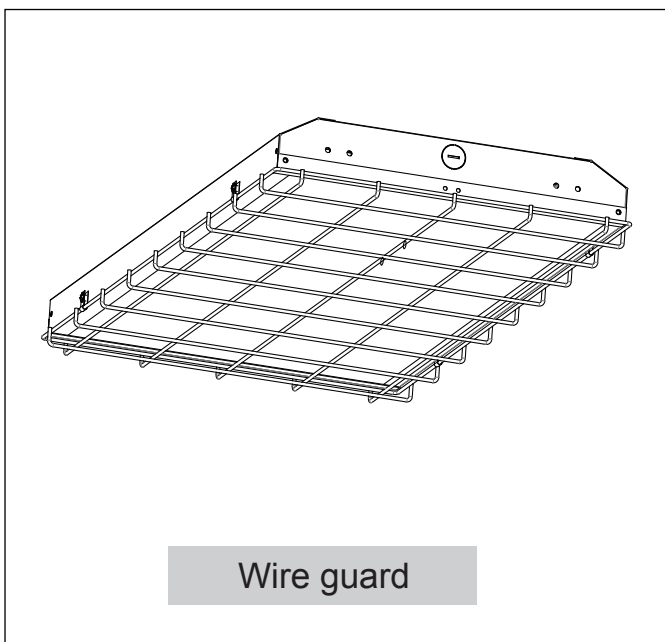
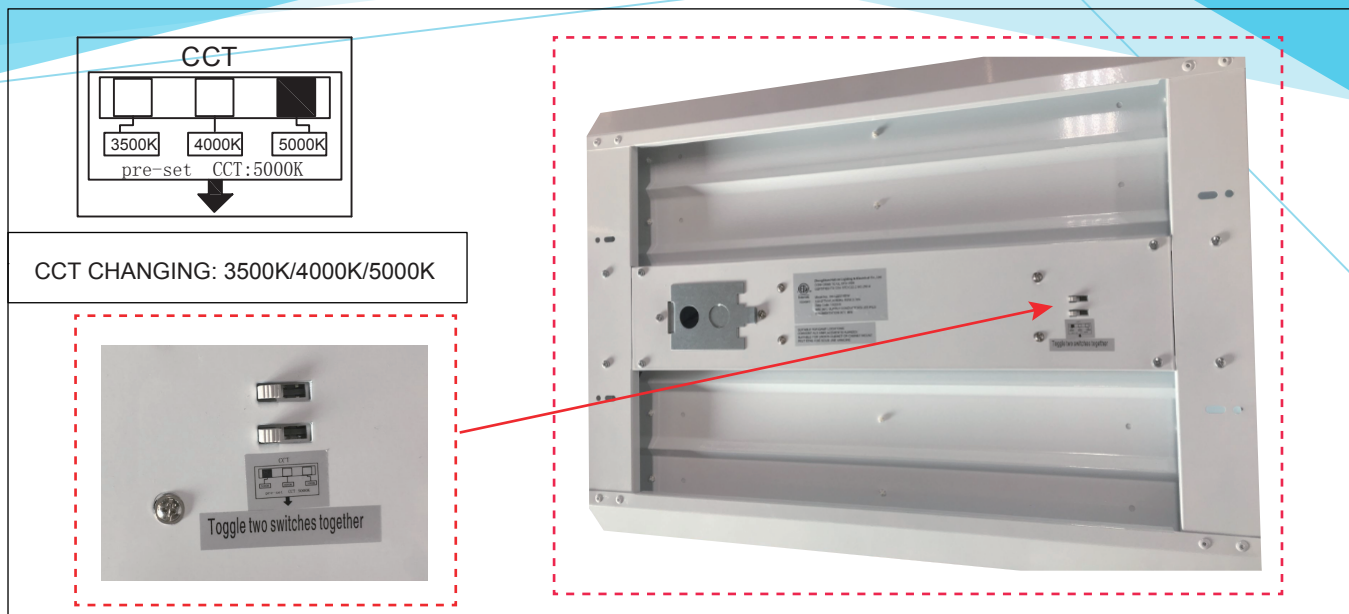


Factory

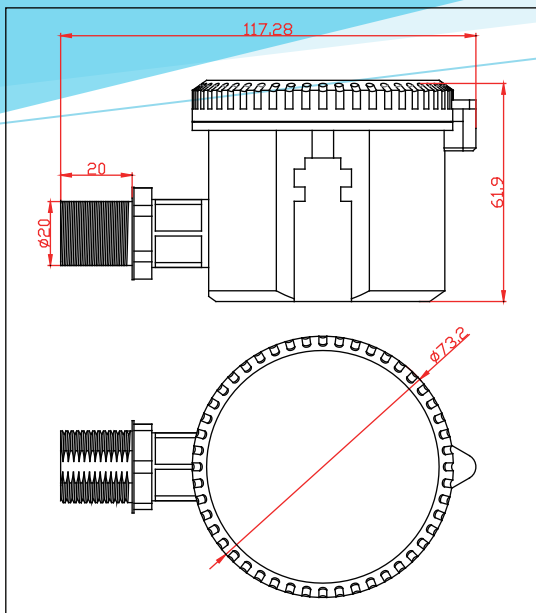


Warehouse

OPTION



High Bay Sensor for Warehouse(MC054V RC 2 D)



Operating Frequency : 5.8GHz \pm 75MHz,ISM Band

Transmitting power :0.5mW Max.

Hold time :5s/30s/1min/3min/5min/10min/20min/30min

Stand-by DIM Level :10%/20%/30%/50%

Stand-by Period :0s/10s/1min/3min/5min/10min/30min/+ ∞

Detection Area : 25%/50%/75%/100%

Daylight Sensor :5lux/15lux/30lux/50lux/100lux/150lux/Disable
(Ambient light diffusion)

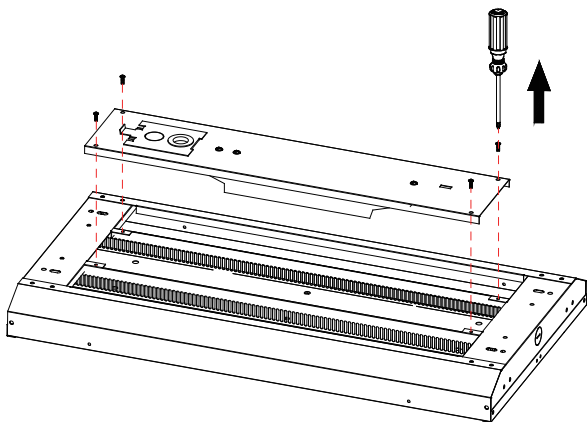
Detecting Radius : See note 2

Mounting Height :15M Max

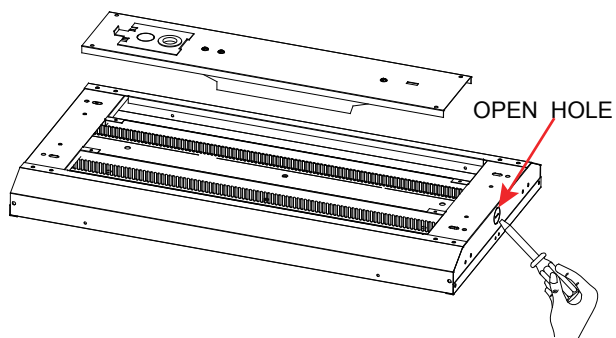
Detecting Angle :150°(wall mounting),360°(Ceiling mounting)

Sensor installation

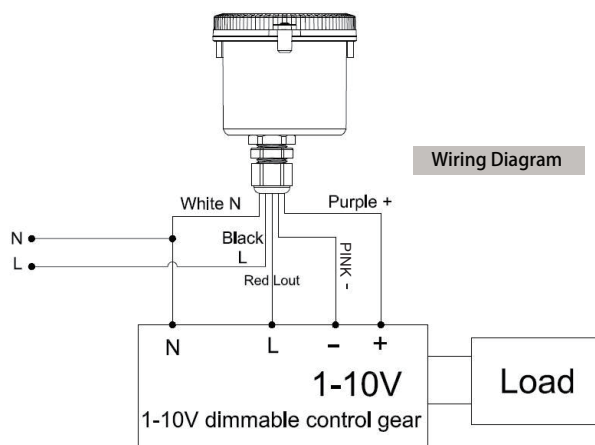
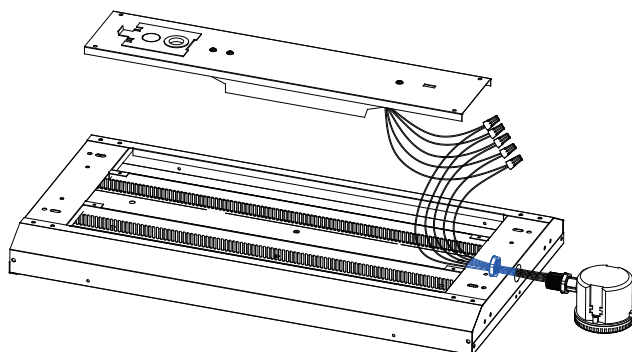
Step1:



Step2:

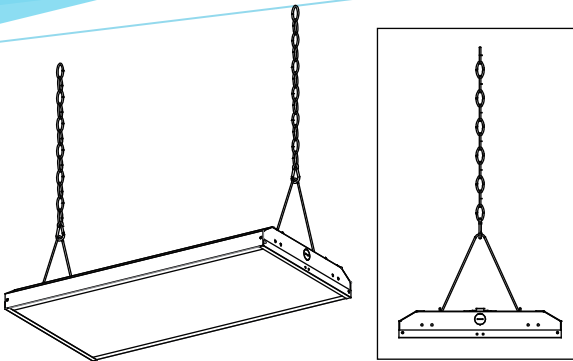


Step3: Wiring Diagram

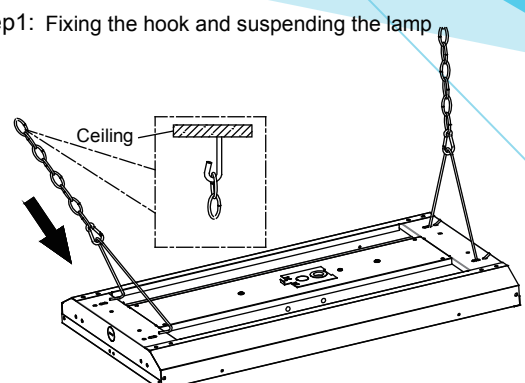


The sensor is designed for connect one load only .
Connect more than one loads may damage the sensor

Installation manual



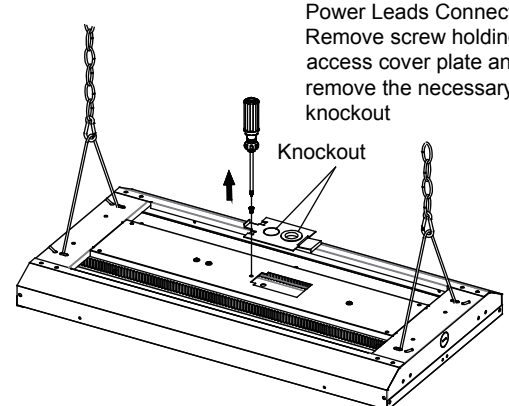
Step1: Fixing the hook and suspending the lamp



Ceiling

Step2

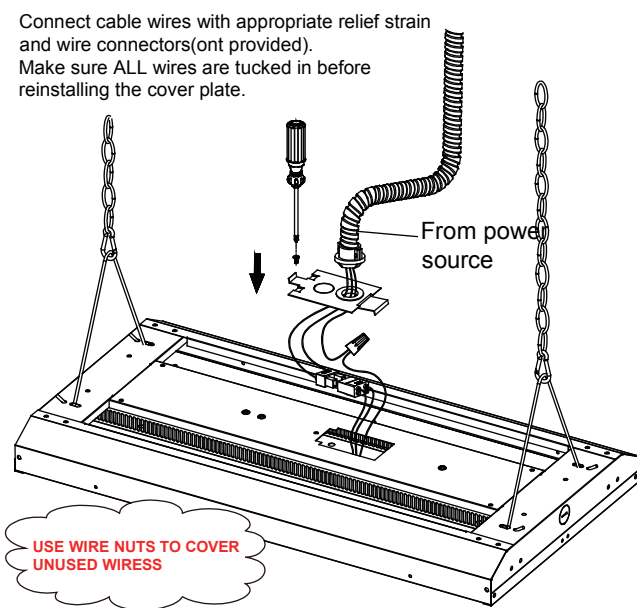
Power Leads Connection
Remove screw holding access cover plate and remove the necessary knockout



Knockout

Step3: Turn off the power and wiring by using wire nuts

Connect cable wires with appropriate relief strain and wire connectors(ont provided).
Make sure ALL wires are tucked in before reinstalling the cover plate.



From power source

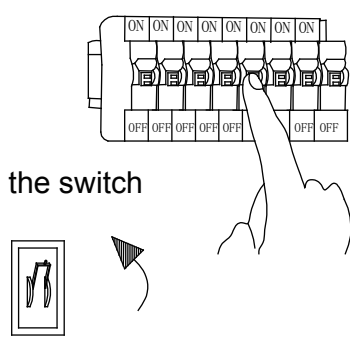
USE WIRE NUTS TO COVER UNUSED WIRESS

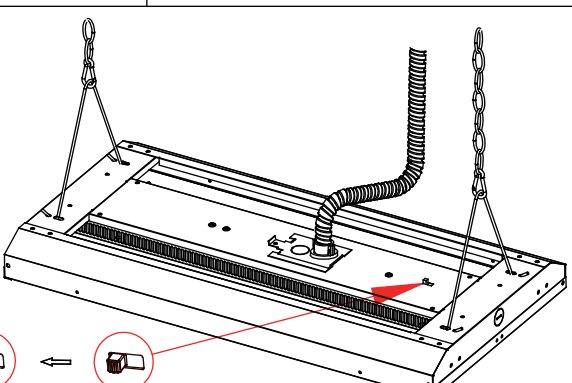
- AC-N ● Connect to AC-N
- AC-L ● Connect to AC-L
- GND ● Connect to GND
- DIM - ● Connect to DIM -
- DIM + ● Connect to DIM +

WHITE
BLACK
GND
PINK
PURPLE

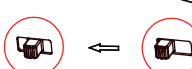
Step4

Turn on the switch





LED CCT SWITCH



Important

Read this instruction carefully before installation. Keep it for further reference.
 Make electrical and grounded connections in accordance with the national electrical code and any applicable code. Always turn off the power supply before installation.
 This product must be installed in accordance with the applicable installation code by a qualified electrician who is familiar with the construction and operation of the product and the hazards involved.

WARNING:

- ⚠ Risk of fire or electric shock. Fixture installation requires knowledge of luminaires electrical systems. If not qualified, DO NOT attempt installation. Contact a qualified electrician.
- ⚠ Risk of fire or electric shock. Suitable for wet locations. Always turn off the power supply before installation.
- ⚠ Risk of fire or electric shock. Suitable for non-insulated surface and frame. DO NOT cover fixture with insulation liner or similar material.
- ⚠ DO NOT install fixture on unstable, loose or easily breakable surface.
- ⚠ DO NOT exert force on the surface of the fixture.

Packing /weight

Model No.	Outer box (L*W*H)	Qty/Ctn (pcs)	N.W/pcs (lbs/Kg)	G.W/Ctn (lbs/Kg)
HG-L225-2FT/80W/100W/140W	13.98"x5.31"x25.4" 355 x 135 x 645mm	2	6.82/3.1	15.84/7.2
HG-L225-2FT/165W/220W	18.7"x5.31"x25.4" 475 x 135 x 645mm	2	10.78/4.9	24.2/11
HG-L225-4FT/165W/225W	13.98"x5.31"x47.64" 355 x 135 x 1210mm	2	13/5.9	29.7/13.5
HG-L225-4FT/325W	18.7"x5.31"x47.64" 475 x 135 x 1210mm	2	20.5/9.3	45.3/20.6

Note

- 1.The installation and maintenance must be completed by electricians or professionals.
- 2.Please cut off the power before installation and maintenance.
- 3.The thermally insulating material is not allowed to cover the fixture.
- 4.Please keep away from the corrosive substance, and keep the fixture dry and clean.
- 5.Working temperature: -4°F~113°F, storage temperature: -22°F~140°F.