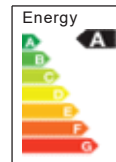
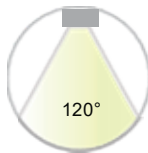




# LED LINER Light

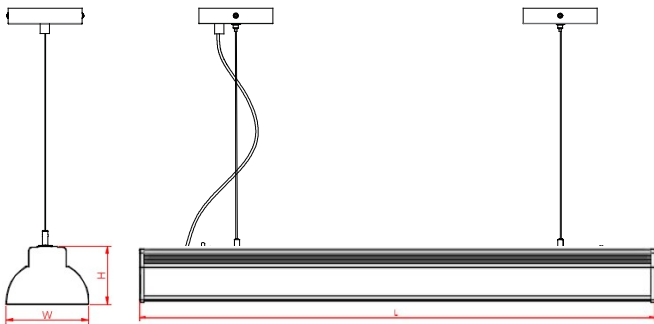




### Features & Benefits

1. 120lm/w for options.
2. Housing: extruded aluminum material .
3. 0-10v dimming, universal voltage: 100-277v.
4. Available with suspending installation.
5. Wide application for: school, hospital, super market, office and warehouse.
6. 4ft and 8ft dimensions for variety choices.
7. 5-year warranty.

### Product Dimension



Model	L×W×H
HG-L220-404F	1200x148x104(mm) 47.2"x5.83"x4.09"
HG-L220-604F	1200x148x104(mm) 47.2"x5.83"x4.09"
HG-L220-808F	2400x148x104(mm) 94.5"x5.83"x4.09"
HG-L220-1208F	2400x148x104(mm) 94.5"x5.83"x4.09"

### Specification

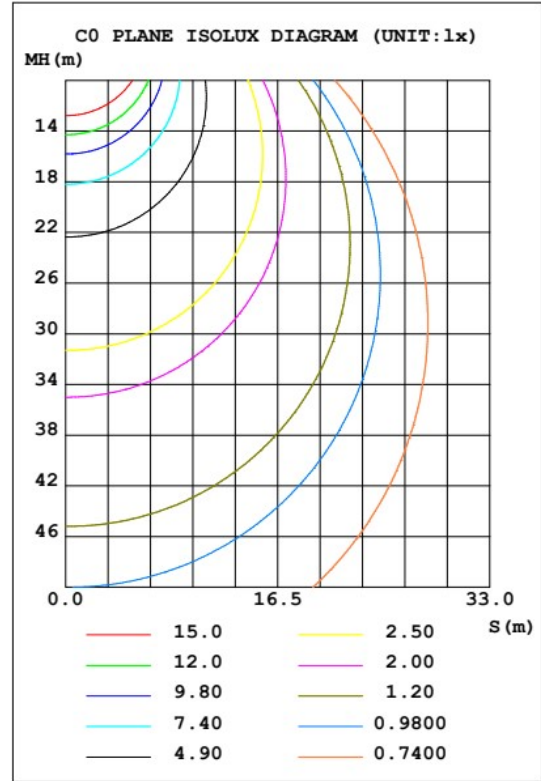
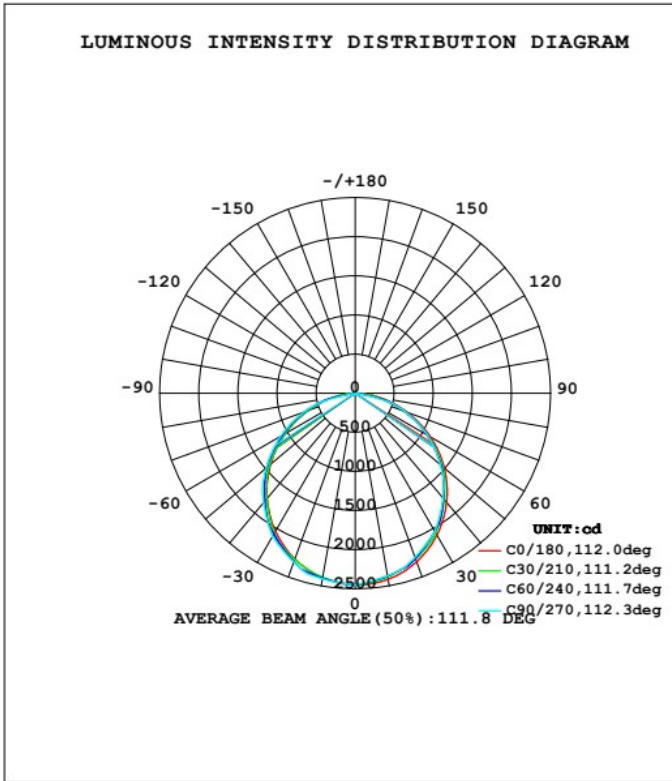
Model	Power	Input Voltage	Luminous Flux	Luminous Efficacy	CCT	Viewing Angle	Ra	PF	Warranty
HG-L220-404F	40W	AC100-277V	4800lm	120lm/W	3000K 3500K 4000K 5000K	120 °	>80	>0.9	5Years
HG-L220-604F	60W		7200lm						
HG-L220-808F	80W		9200lm						
HG-L220-1208F	120W		14400lm						

The following multiple functions can be achieved according to customers' requests:

1. CCT options: 3000K, 3500K, 4000K, 5000K.
2. Available with external or built-in microwave motion sensor.
3. Emergency: the power is 8W, it can still work in 1.5hrs while emergency situation.



### Testing Report



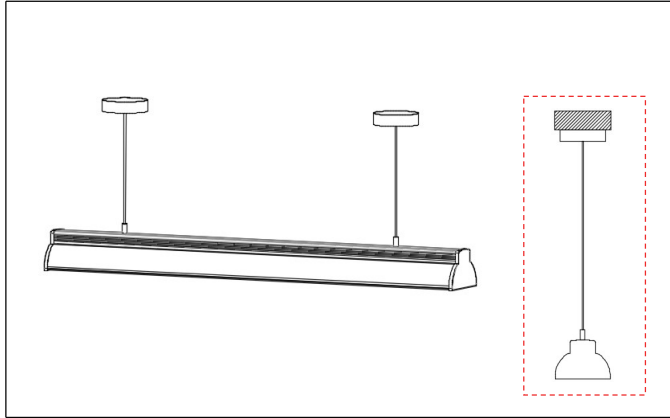
### Applications



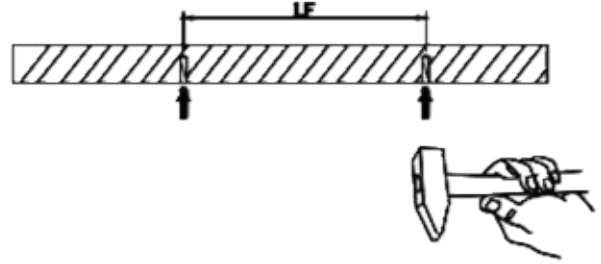


### Installation manual

### A.Suspending installation



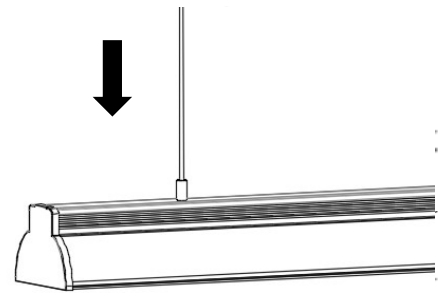
Step1. Punch a hole on the wall and put the expansion tube inside.



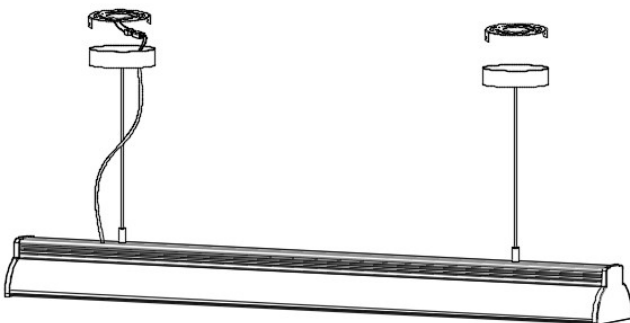
Step2.



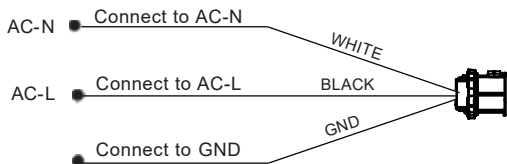
Step3.



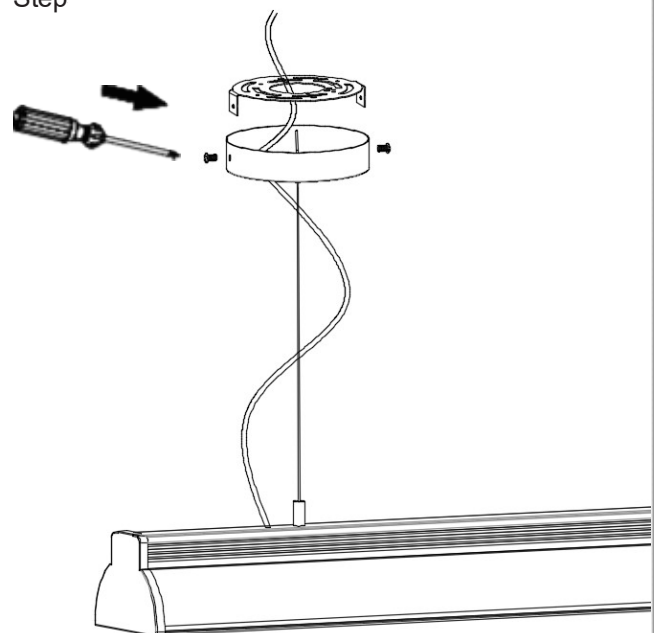
Step4.Turn off the power and wiring by using wire nuts.



Wiring Diagram



Step





## Lighting for the future






### Important

Read this instruction carefully before installation. Keep it for further reference.

Make electrical and grounded connections in accordance with the national electrical code and any applicable code. Always turn off the power supply before installation.

This product must be installed in accordance with the applicable installation code by a qualified electrician who is familiar with the construction and operation of the product and the hazards involved.

**WARNING:**

-  Risk of fire or electric shock. Fixture installation requires knowledge of luminaires electrical systems. If not qualified, DO NOT attempt installation. Contact a qualified electrician.
-  Risk of fire or electric shock. Suitable for wet locations. Always turn off the power supply before installation.
-  Risk of fire or electric shock. Suitable for non-insulated surface and frame. DO NOT cover fixture with insulation liner or similar material.
-  DO NOT install fixture on unstable, loose or easily breakable surface.
-  DO NOT exert force on the surface of the fixture.

### Packing /weight

Model	Outer box (L*W*H)	Qty/Ctn (pcs)	N.W/pcs ( KG )	G.W/pcs ( KG )
HG-L220-404F	48.1"x12.99"x11.02" 1220*330*280 mm	4	3.1	13.4
HG-L220-604F	48.1"x12.99"x11.02" 1220*330*280 mm	4	3.1	13.4
HG-L220-808F	95.3"x12.99"x11.02" 2420*330*280 mm	4	5.8	25.2
HG-L220-1208F	95.3"x12.99"x11.02" 2420*330*280 mm	4	5.8	25.2

### Note

- 1.The installation and maintenance must be completed by electricians or professionals.
- 2.Please cut off the power before installation and maintenance.
- 3.The thermally insulating material is not allowed to cover the fixture.
- 4.Please keep away from the corrosive substance, and keep the fixture dry and clean.
- 5.Working temperature: -4°F~113°F, storage temperature: -22°F~140°F.