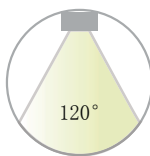




LED Troffer Light



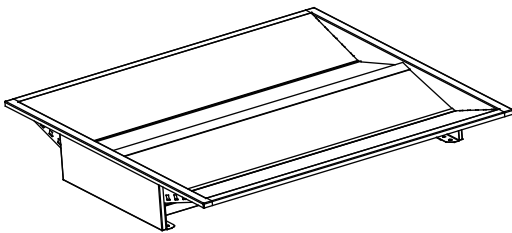
RoHS



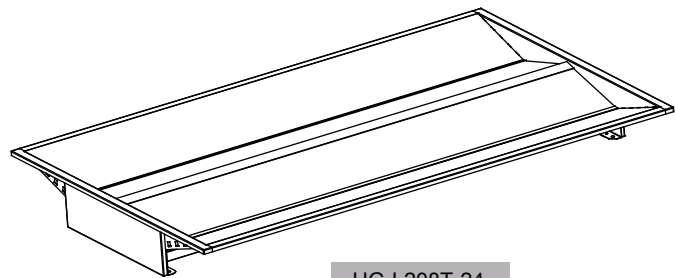
Features & Benefits

1. Die formed of 0.6mm cold-rolled steel body.
2. 0-10v dimming, universal voltage: 120-277v/120-347v.
3. Wide application for: school, hospital, super market, office and warehouse .
4. Fully recessed luminaire fits standard T-Grid ceilings .
5. High-diffusion light-milky PS diffuser .
6. 5-year warranty .

Product Dimension



HG-L208T-22



HG-L208T-24

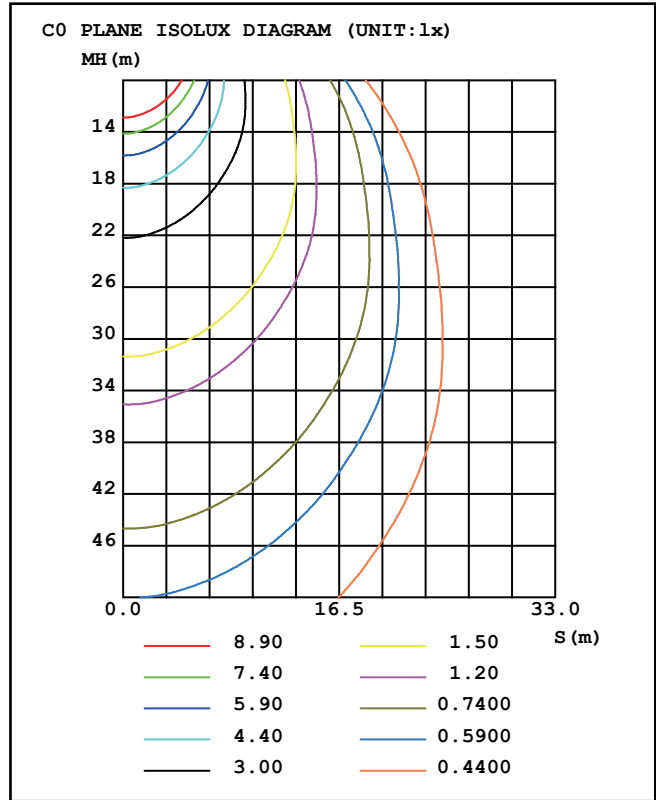
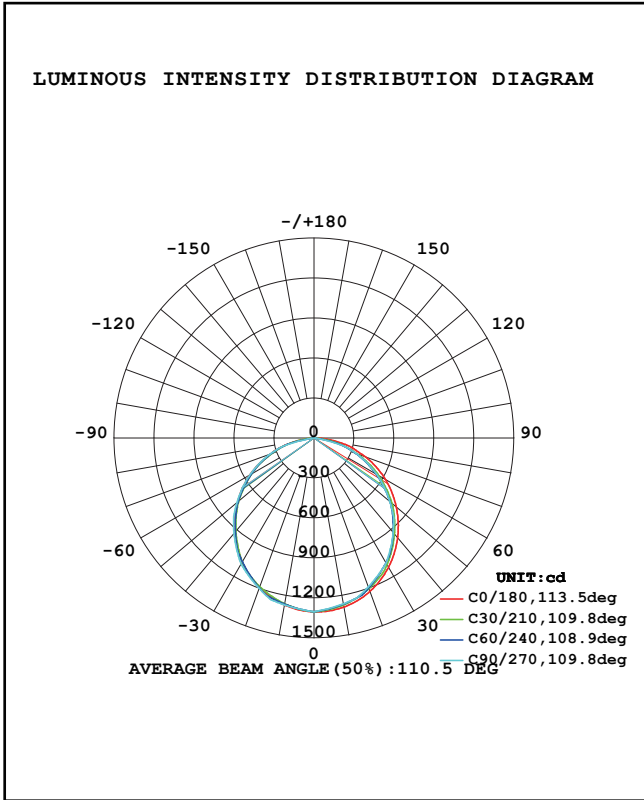
Model	L x W x H
HG-L208T-22	603x603x90 (mm)/23.7"x23.7"x3.54"
HG-L208T-24	1213x603x90 (mm)/47.8"x23.7"x3.54"

Specification

Part No.	Power	Input Voltage	Luminous Flux	Luminous Efficacy	CCT	Viewing Angle	Ra	PF	Warranty
HG-L208T-22-25W/30W/40W	40W	AC 120-277V/ AC 120-347V	4400lm	110lm/W	3000K 3500K 4000K 5000K	120°	>80	>0.9	5Years
HG-L208T-22-30W/40W/50W	50W		5500lm						
HG-L208T-22-25W	25W		2750lm						
HG-L208T-22-30W	30W		3300lm						
HG-L208T-22-40W	40W		4400lm						
HG-L208T-22-50W	50W		5500lm						
HG-L208T-24-35W/40W/50W	50W		5500lm						
HG-L208T-24-50W/60W/72W	72W		7920lm						
HG-L208T-24-35W	35W		3850lm						
HG-L208T-24-40W	40W		4400lm						
HG-L208T-24-50W	50W		5500lm						
HG-L208T-24-60W	60W		6600lm						
HG-L208T-24-72W	72W		7920lm						



Testing Report



Applications





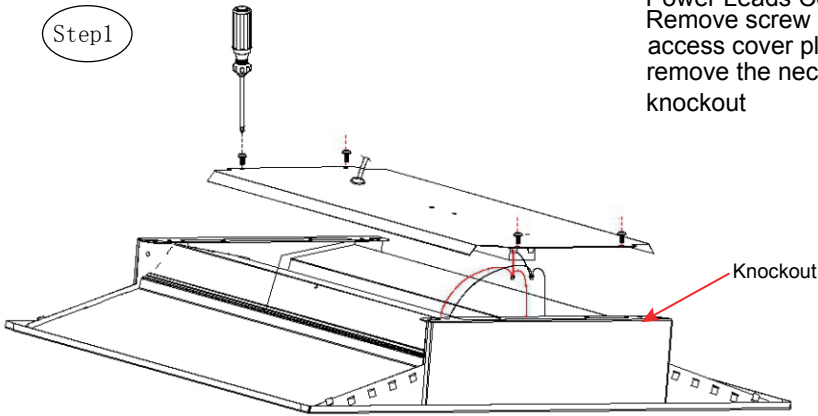
Uncorrected UGR Table

ceiling/cavity	0.7	0.7	0.5	0.5	0.3	0.7	0.7	0.5	0.5	0.3
walls	0.5	0.3	0.5	0.3	0.3	0.5	0.3	0.5	0.3	0.3
working plane	0.2	0.2	0.2	0.2	0.2	0.2	0.2	0.2	0.2	0.2
Room dimensions	Viewed crosswise					Viewed endwise				
x = 2H y = 2H	15.6	17.1	15.9	17.3	17.5	16.5	17.9	16.8	18.1	18.3
3H	16.8	18.2	17.1	18.4	18.6	17.8	19.2	18.1	19.4	19.6
4H	17.3	18.6	17.6	18.8	19.1	18.3	19.6	18.6	19.8	20.1
6H	17.6	18.8	17.9	19.1	19.4	18.3	19.5	18.6	19.8	20.1
8H	17.7	18.9	18.0	19.1	19.4	18.3	19.4	18.6	19.7	20.0
12H	17.8	18.9	18.1	19.2	19.5	18.2	19.3	18.6	19.6	19.9
4H 2H	16.2	17.5	16.5	17.7	18.0	16.9	18.2	17.2	18.4	18.7
3H	17.6	18.7	17.9	19.0	19.3	18.4	19.5	18.8	19.8	20.1
4H	18.1	19.1	18.5	19.5	19.8	19.0	20.0	19.4	20.3	20.6
6H	18.5	19.4	18.9	19.8	20.1	19.0	19.9	19.4	20.3	20.7
8H	18.7	19.5	19.1	19.9	20.2	19.0	19.8	19.4	20.2	20.6
12H	18.7	19.5	19.2	19.9	20.3	19.0	19.7	19.4	20.1	20.5
8H 4H	18.4	19.2	18.8	19.5	19.9	19.1	19.9	19.5	20.3	20.7
6H	18.9	19.5	19.3	19.9	20.4	19.2	19.9	19.7	20.3	20.7
8H	19.0	19.6	19.5	20.1	20.5	19.2	19.8	19.6	20.2	20.6
12H	19.1	19.7	19.6	20.1	20.6	19.1	19.6	19.6	20.1	20.6
12H 4H	18.3	19.1	18.7	19.5	19.9	19.1	19.9	19.5	20.2	20.6
6H	18.8	19.4	19.3	19.9	20.3	19.2	19.8	19.7	20.2	20.7
8H	19.0	19.5	19.5	20.0	20.5	19.2	19.7	19.6	20.1	20.6
Variations with the observer position at spacings :										
S = 1.0H	+ 0.2 / - 0.2					+ 0.2 / - 0.3				
1.5H	+ 0.1 / - 0.1					+ 0.1 / - 0.3				
2.0H	+ 0.3 / - 0.3					+ 0.4 / - 0.6				

CIE Pub.117 Corrected 6500 lm Total Lamp Luminous Flux. (8log(F/F0) = 6.5)

Step1

Power Leads Connection
Remove screw holding
access cover plate and
remove the necessary
knockout

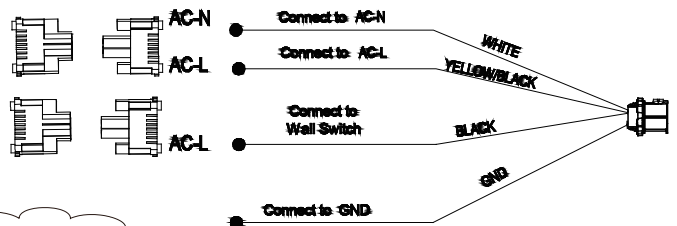


Step2

Turn off the power and wiring by using wire nuts.

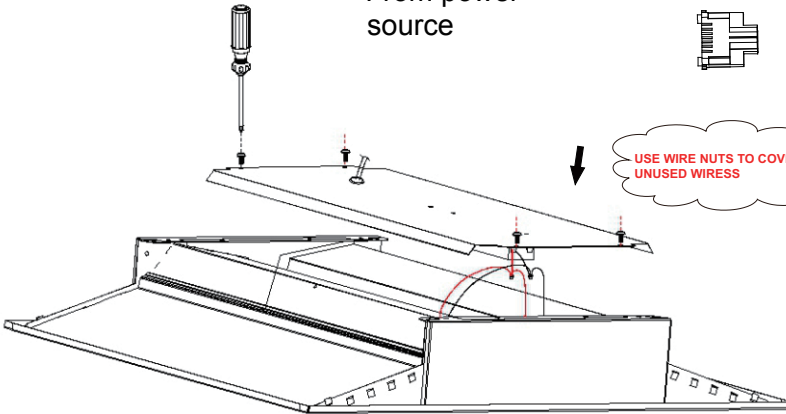
Connect cable wires with appropriate relief strain and wire connectors(ont provided).
Make sure ALL wires are tucked in before
reinstalling the cover plate.

Wiring Diagram

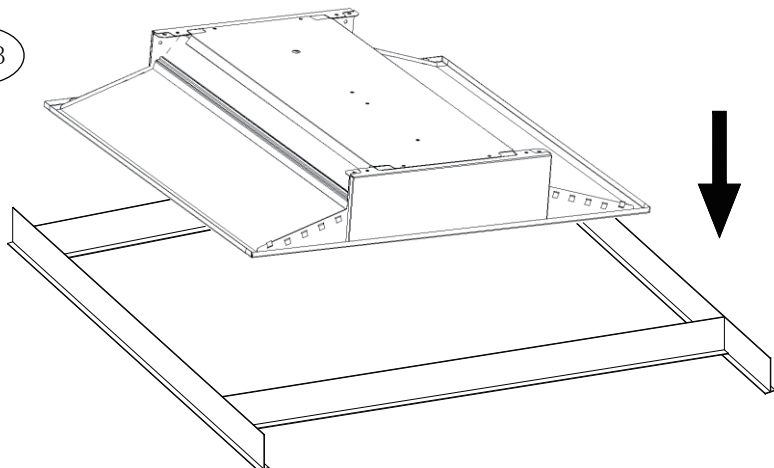


From power
source

USE WIRE NUTS TO COVER
UNUSED WIRES



Step3





Important

Read this instruction carefully before installation. Keep it for further reference.
Make electrical and grounded connections in accordance with the national electrical code and any applicable code. Always turn off the power supply before installation.
This product must be installed in accordance with the applicable installation code by a qualified electrician who is familiar with the construction and operation of the product and the hazards involved.

WARNING:

- ⚠ Risk of fire or electric shock. Fixture installation requires knowledge of luminaire electrical systems. If not qualified, DO NOT attempt installation. Contact a qualified electrician.
- ⚠ Risk of fire or electric shock. Suitable for wet locations. Always turn off the power supply before installation.
- ⚠ Risk of fire or electric shock. Suitable for non-insulated surface and frame. DO NOT cover fixture with insulation liner or similar material.
- ⚠ DO NOT install fixture on unstable, loose or easily breakable surface.
- ⚠ DO NOT exert force on the surface of the fixture.

Packing /weight

Model No.	Outer box (L*W*H)	Qty/Ctn (pcs)	N.W/pcs (lbs/Kg)	G.W/Ctn (lbs/Kg)
HG-L208T-22	25.4"x4.52"x25.59" 645 x 115 x 650 mm	1	10.56/4.8	12.32/5.6
HG-L208T-24	25.4"x4.52"x49.41" 645 x 115 x 125.5 mm	1	19.14/8.7	21.78/9.9

Note

- 1.The installation and maintenance must be completed by electricians or professionals.
- 2.Please cut off the power before installation and maintenance.
- 3.The thermally insulating material is not allowed to cover the fixture.
- 4.Please keep away from the corrosive substance, and keep the fixture dry and clean.
- 5.Working temperature: -4°F~113°F, storage temperature: -22°F~140°F.