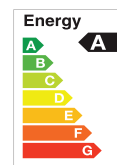
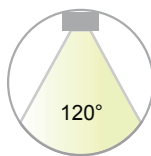




LED Linear Strip Light



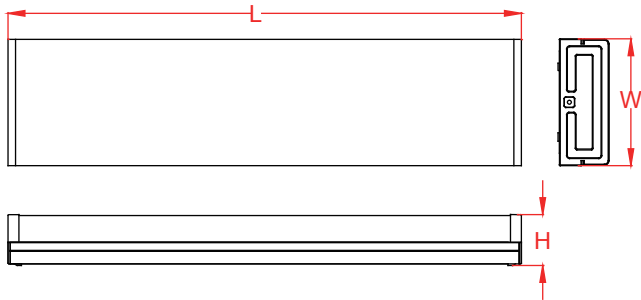
RoHS



Features & Benefits

1. 115lm/w for options.
2. Die formed of 0.5mm cold-rolled steel body.
3. 0-10v dimming, universal voltage: 100-277v.
4. Available with suspending installation and surface mounted installation.
5. Wide application for: school, hospital, super market, office and warehouse.
6. 2ft, 4ft, 5ft and 6ft dimensions for variety choices.
7. 5-year warranty.

Product Dimension



Model	L×W×H
HG-L202-252F	588x 175 x70(mm) 23.15"x6.89"x2.76"
HG-L202-404F	1188x175x70(mm) 46.77"x6.89"x2.76"

Specification

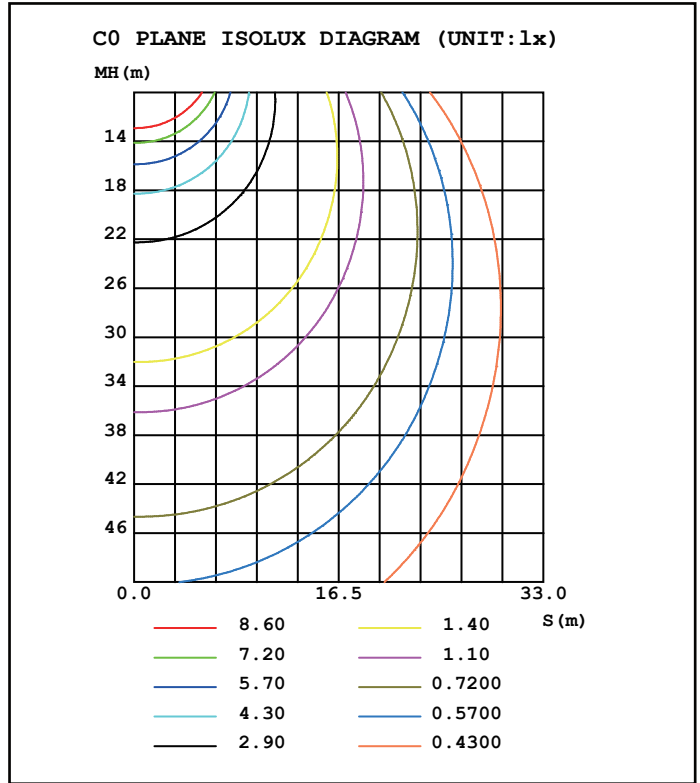
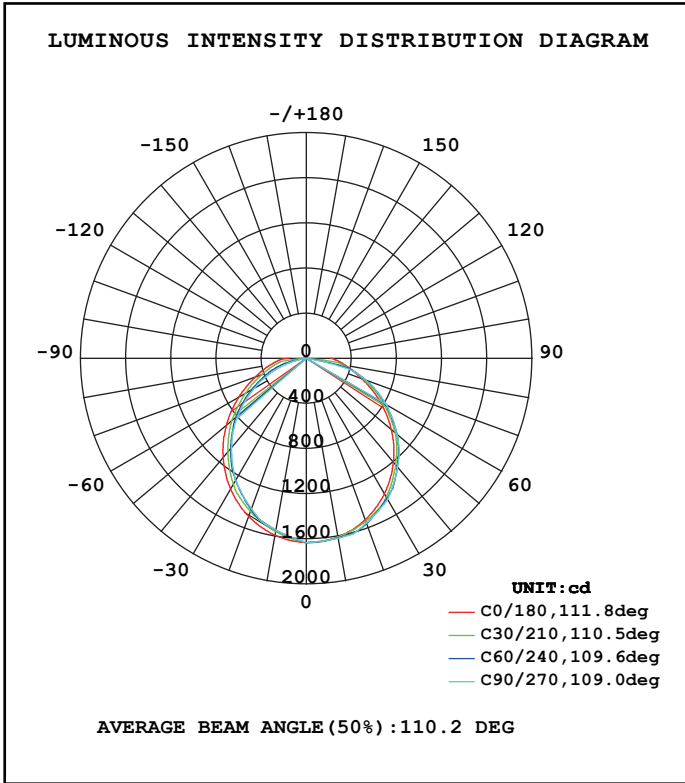
Model	Power	Input Voltage	Luminous Flux	Luminous Efficacy	CCT	Viewing Angle	Ra	PF	Warranty
HG-L202-252F	15W/20W/25W	AC100-277V	2875lm	115lm/W	3000K 3500K 4000K 5000K	120°	>80	>0.9	5Years
HG-L202-404F	25W/30W/40W		4600lm						

The following multiple functions can be achieved according to customers' requests:

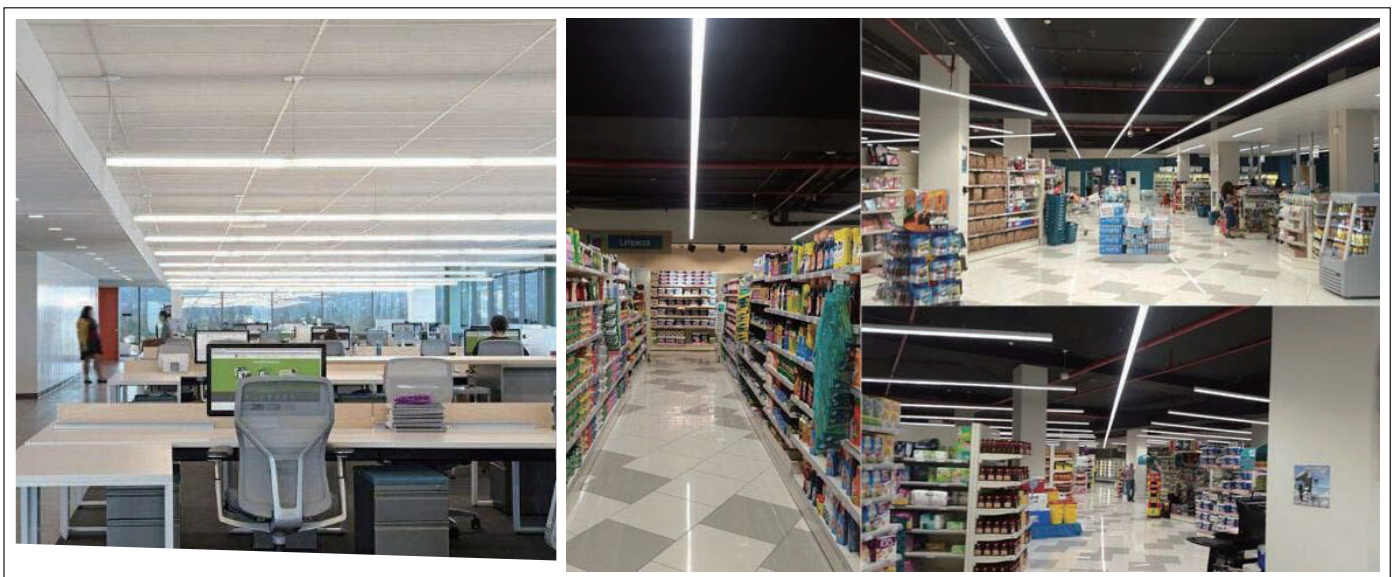
1. CCT options: 3000K, 3500K, 4000K, 5000K.
2. Available with external or built-in microwave motion sensor.
3. Emergency: the power is 8W, it can still work in 1.5hrs while emergency situation.



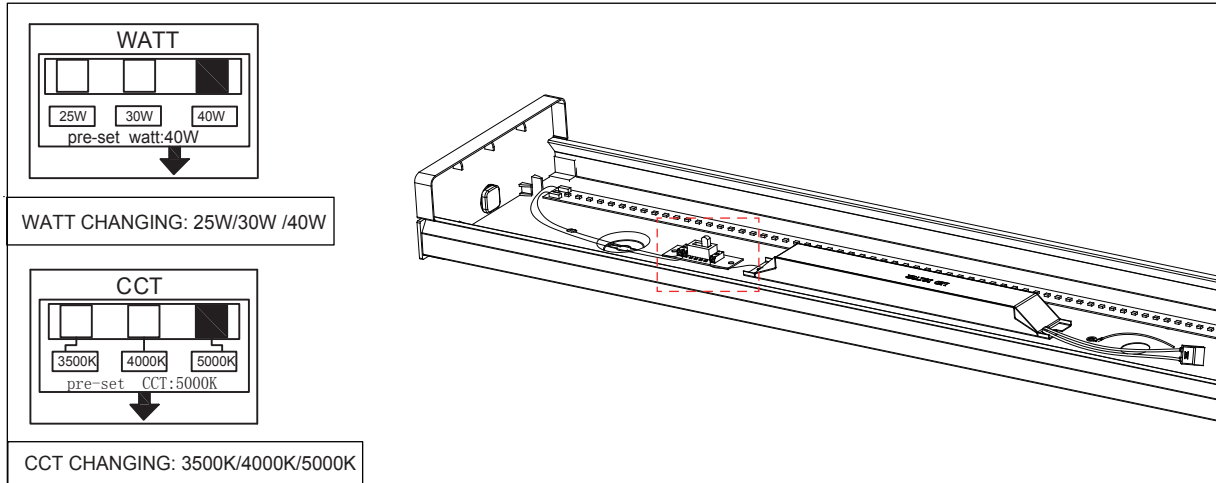
Testing Report



Applications

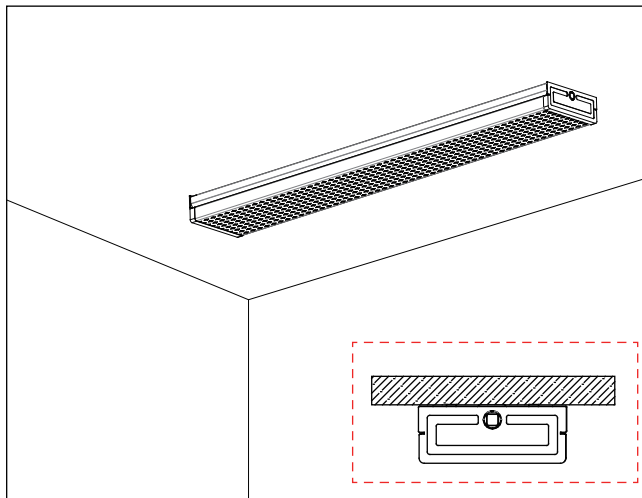


CCT CHANGING

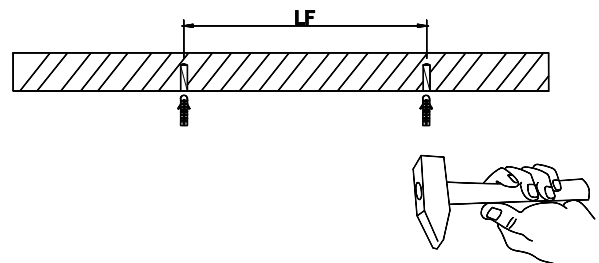


Installation manual

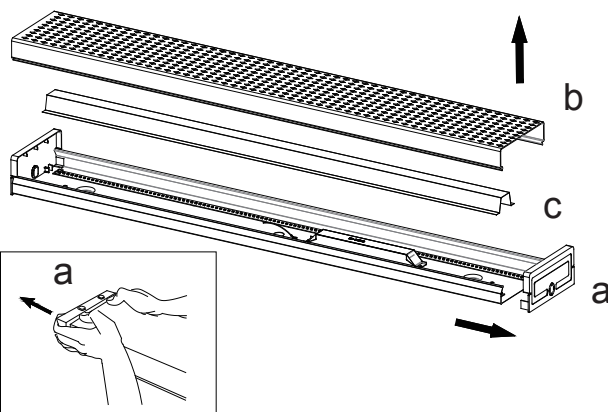
A. Surface-mounted installation



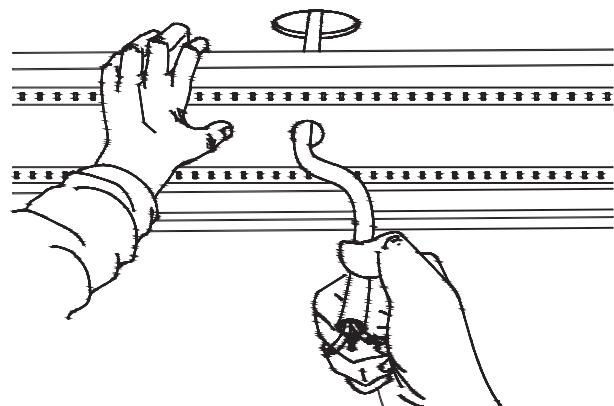
- ① Punch a hole on the wall and put the expansion tube inside.



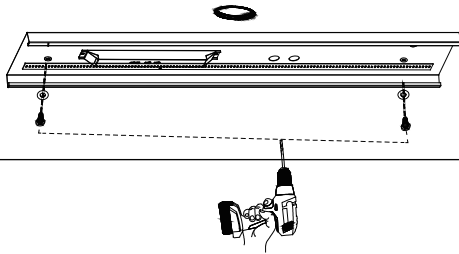
- ② Take off A & B & C covers.



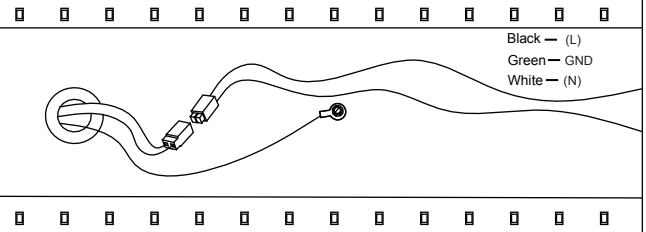
- ③ The wire is led into the lamp body.



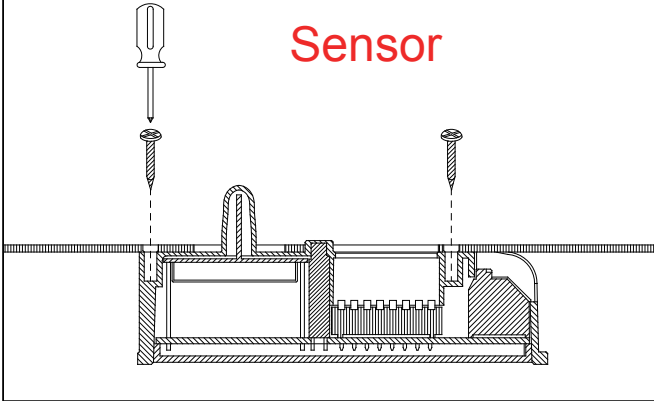
④ Secure the fixture on the wall and lock it in tight.



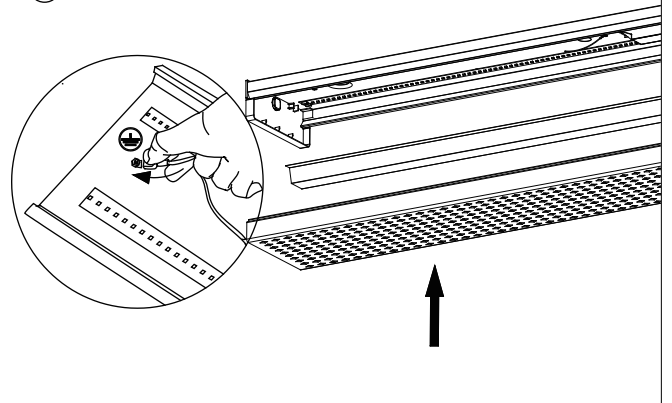
⑤ Turn off the power and wiring by using wire nuts.



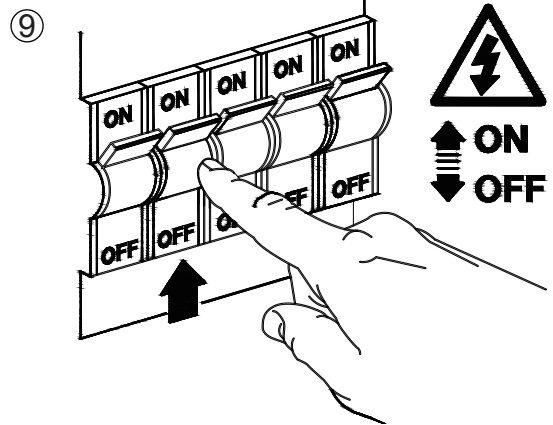
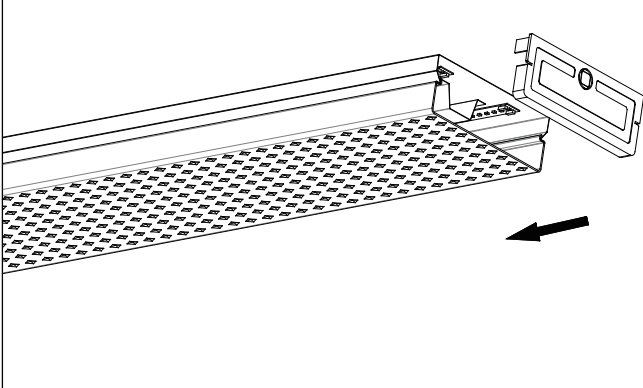
⑥ Sensor installation.



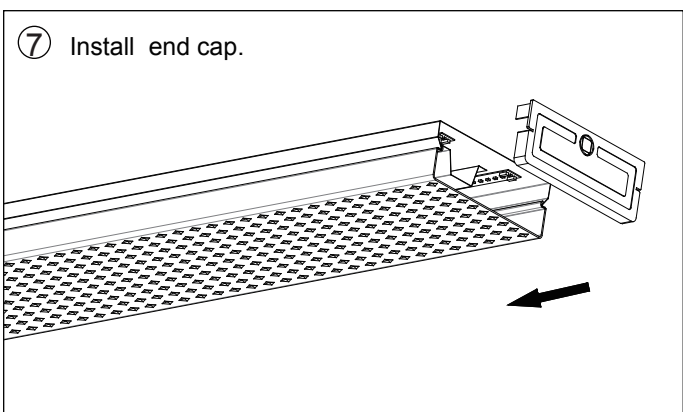
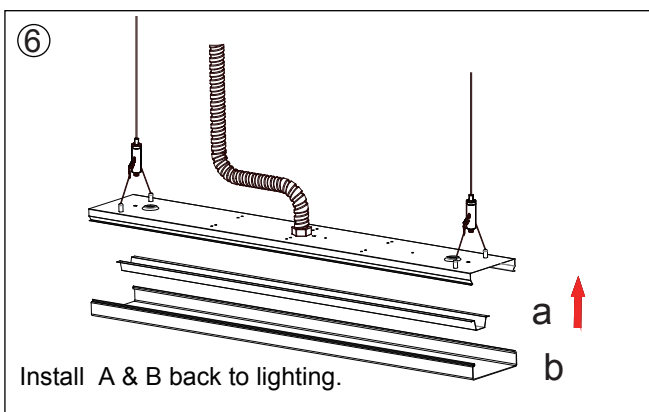
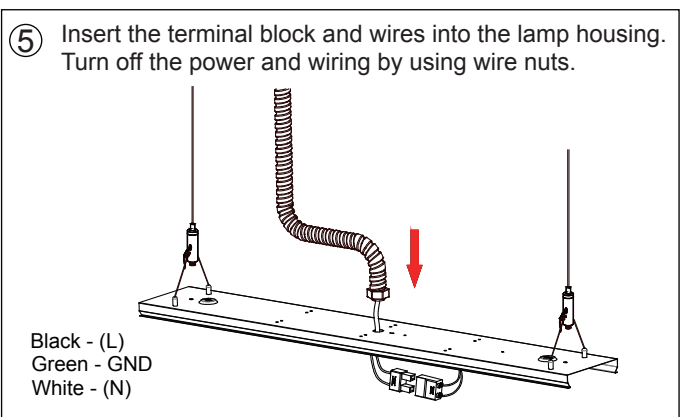
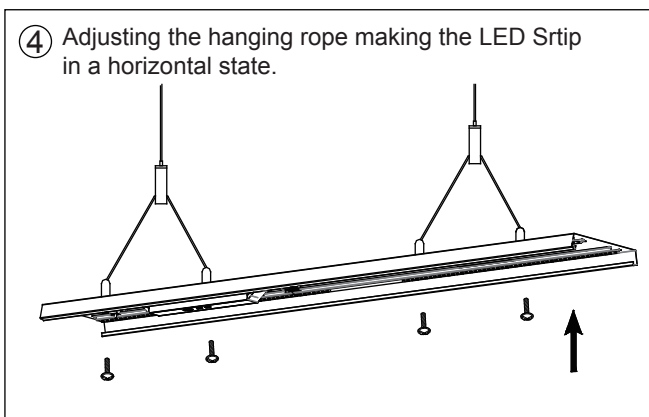
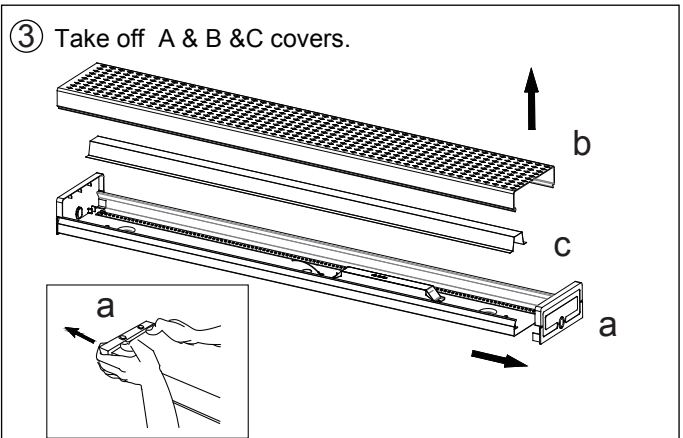
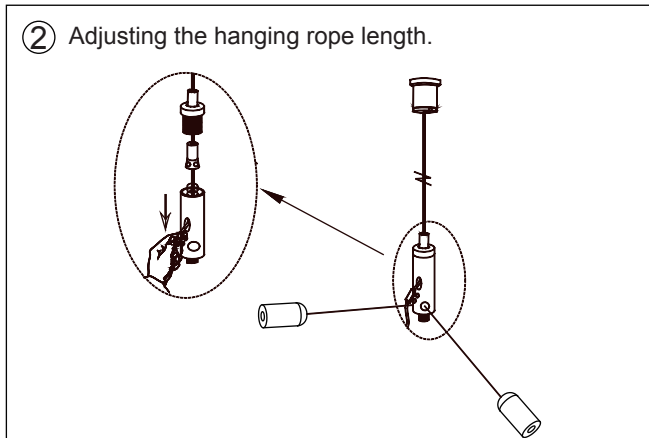
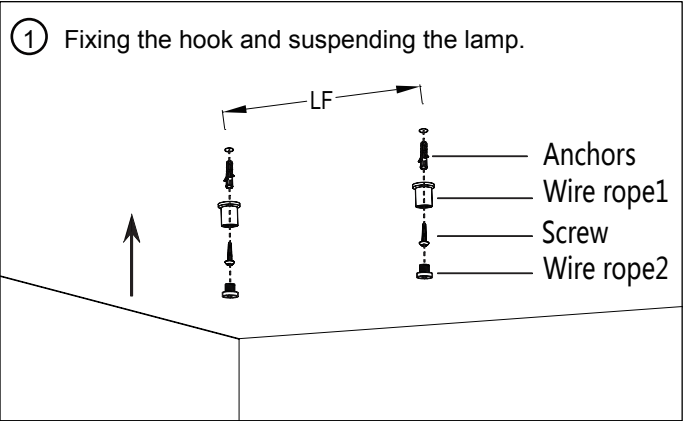
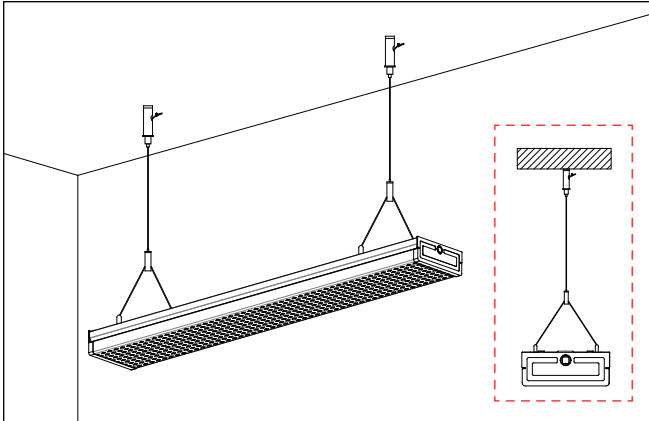
⑦ Connect earth wire.



⑧ Put end cap back.



B. Suspending installation





Important

Read this instruction carefully before installation. Keep it for further reference.
Make electrical and grounded connections in accordance with the national electrical code and any applicable code. Always turn off the power supply before installation.
This product must be installed in accordance with the applicable installation code by a qualified electrician who is familiar with the construction and operation of the product and the hazards involved.

WARNING:

- ⚠ Risk of fire or electric shock. Fixture installation requires knowledge of luminaires electrical systems. If not qualified, DO NOT attempt installation. Contact a qualified electrician.
- ⚠ Risk of fire or electric shock. Suitable for wet locations. Always turn off the power supply before installation.
- ⚠ Risk of fire or electric shock. Suitable for non-insulated surface and frame. DO NOT cover fixture with insulation liner or similar material.
- ⚠ DO NOT install fixture on unstable, loose or easily breakable surface.
- ⚠ DO NOT exert force on the surface of the fixture.

Packing /weight

Model	Outer box (L*W*H)	Qty/Ctn (pcs)	N.W/pcs (lbs/Kg)	G.W/Ctn (lbs/Kg)
HG-L202-252F	25"x15.55"x8.07" 630*395*205mm	5	3.3/1.5	19.8/9
HG-L202-404F	48.43"x15.55"x8.07" 1230*395*205mm	5	6.6/3	37.4/17

Note

- 1.The installation and maintenance must be completed by electricians or professionals.
- 2.Please cut off the power before installation and maintenance.
- 3.The thermally insulating material is not allowed to cover the fixture.
- 4.Please keep away from the corrosive substance, and keep the fixture dry and clean.
- 5.Working temperature: -4°F~113°F, storage temperature: -22°F~140°F.