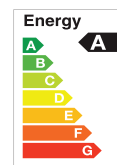
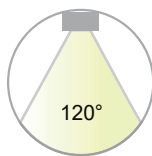
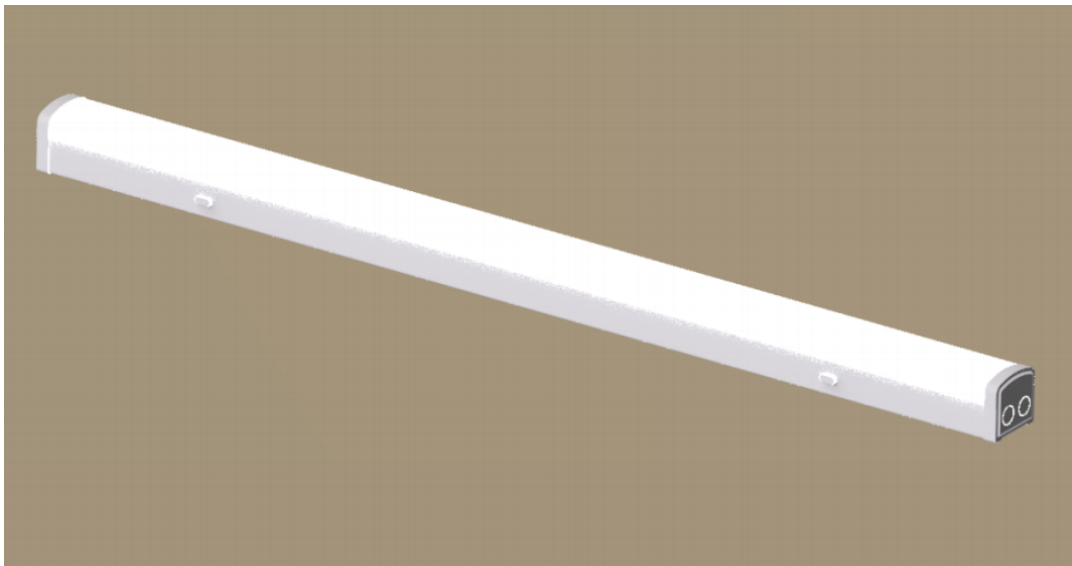




LED Linear Strip Light



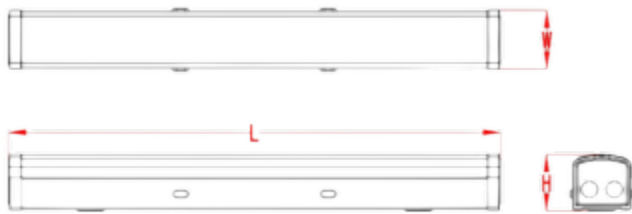
RoHS



Features & Benefits

1. 130lm/w for options.
2. Die formed of 0.5mm cold-rolled steel body.
3. 0-10v dimming, universal voltage: 100-277v.
4. Available with suspending installation and surface- mounted installation.
5. Wide application for: school, hospital, super market, office and warehouse.
6. 2ft, 4ft and 8ft dimensions for variety choices.
7. 5-year warranty.

Product Dimension



Model	L×W×H
C2311-10W/2ft C2311-20W/2ft	600x78x71 (mm) 23.62"x3.07"x2.8"
C2311-20W/4ft C2311-38W/4ft	1200x78x71 (mm) 47.24"x3.07"x2.8"
C2311-30W/5ft C2311-50W/5ft	1520x78x71 (mm) 60"x3.07"x2.8"
C2311-30W/6ft C2311-50W/6ft	1830x78x71 (mm) 72"x3.07"x2.8"

Specification

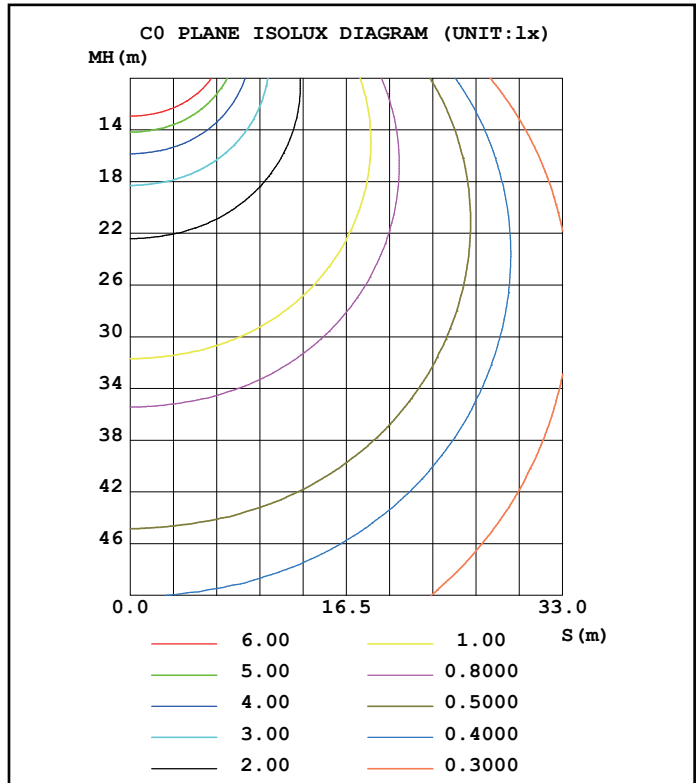
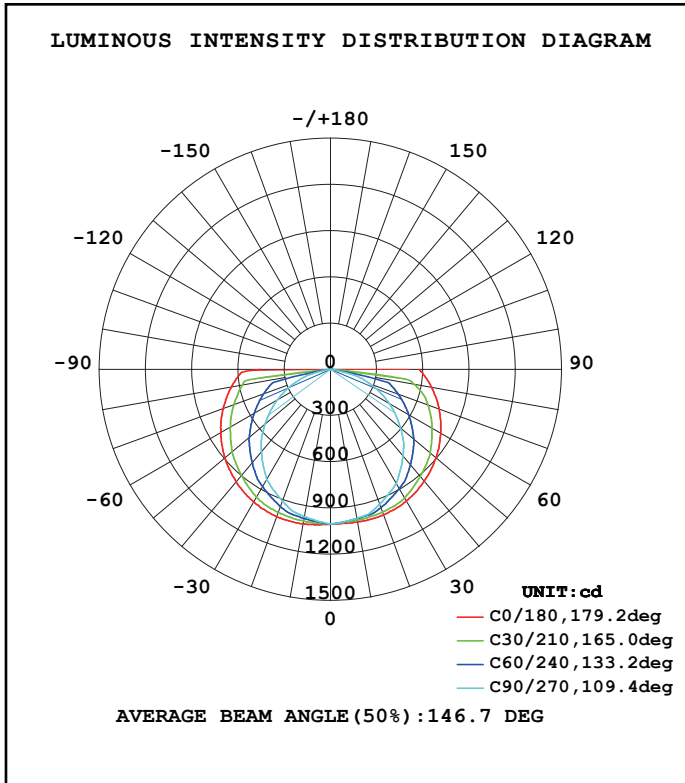
Part No.	Power	Input Voltage	Luminous Flux	Luminous Efficacy	CCT	Viewing Angle	Ra	PF	Warranty
C2311-10W/2ft	10W	AC100-277V	1250lm	125lm/W	3000K 3500K 4000K 5000K	120°	>80	>0.9	5Years
C2311-20W/2ft C2311-20W/4ft	20W		2500lm						
C2311-30W/5ft C2311-30W/6ft	30W		3750lm						
C2311-38W/4ft	38W		4750lm						
C2311-50W/5ft C2311-50W/6ft	50W		6250lm						

The following multiple functions can be achieved according to customers' requests:

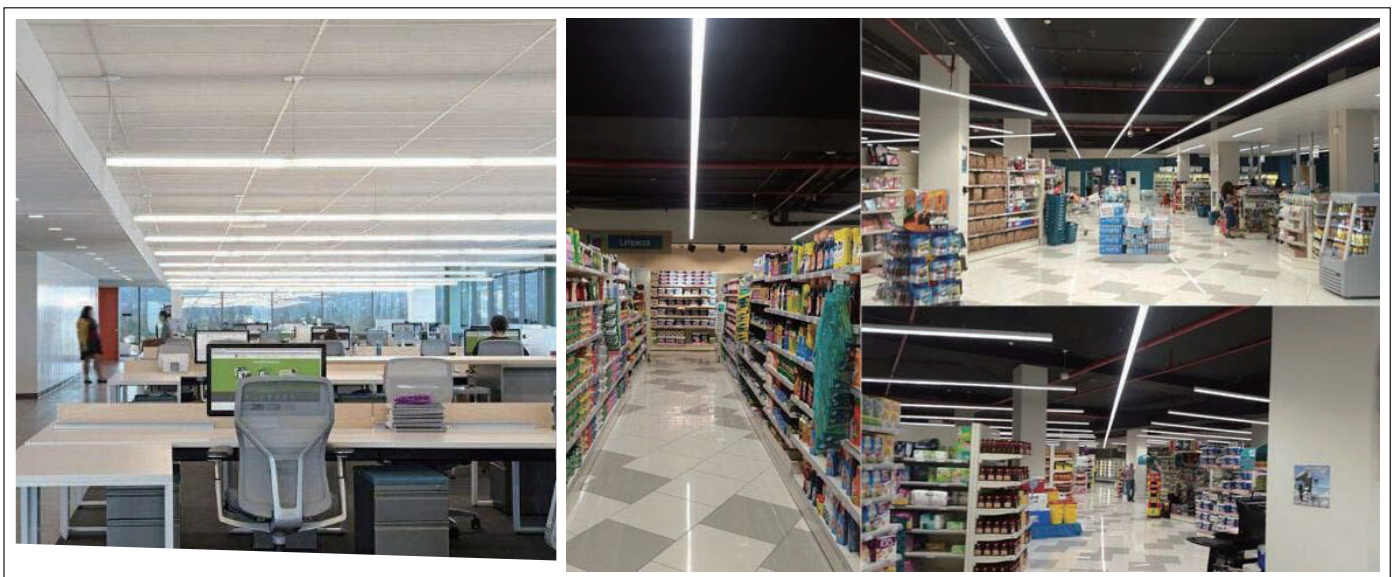
1. CCT options: 3000K, 3500K, 4000K, 5000K.
2. Available with external or built-in microwave motion sensor.
3. Emergency: the power is 8W, it can still work in 1.5hrs while emergency situation.



Testing Report

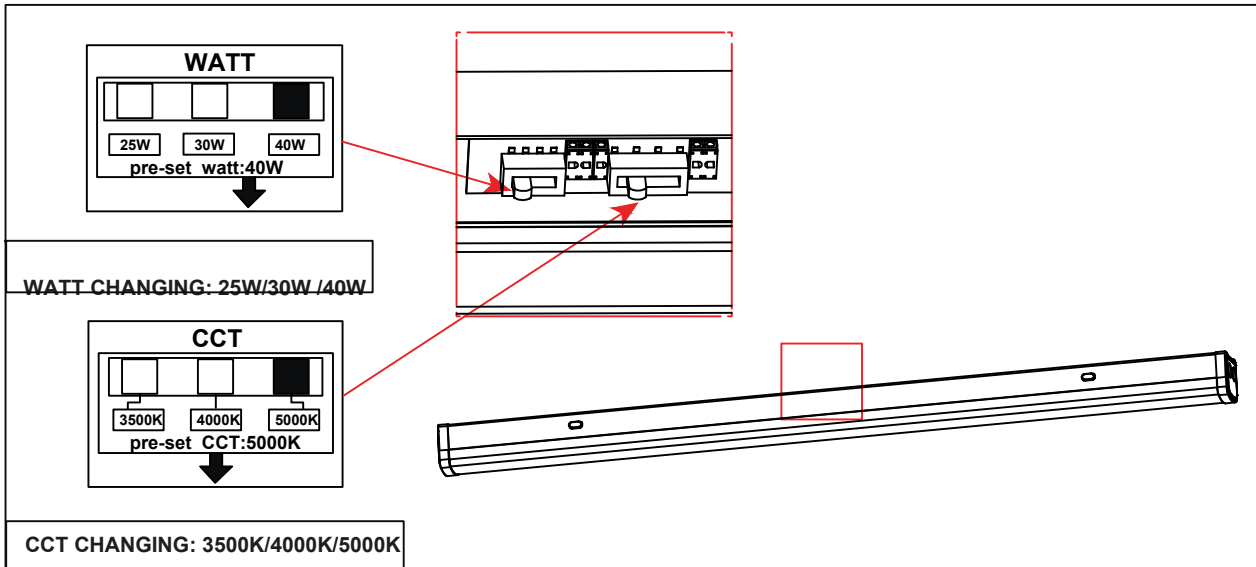


Applications



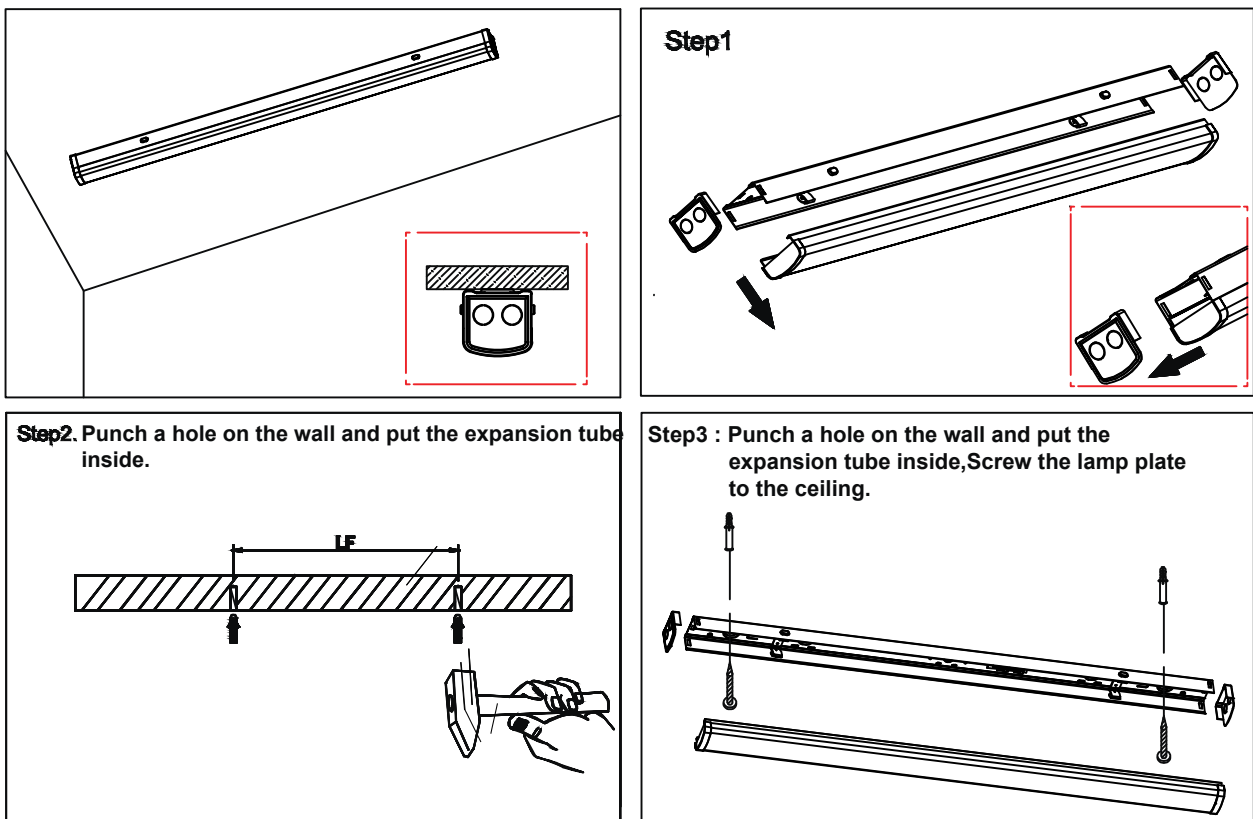


WATT AND CCT CHANGING



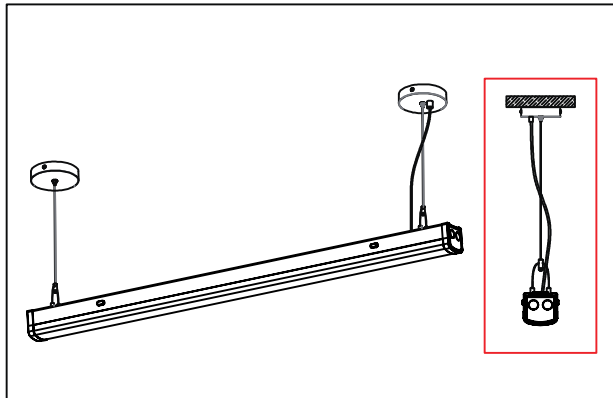
Installation manual

A.Surface-mounted installation

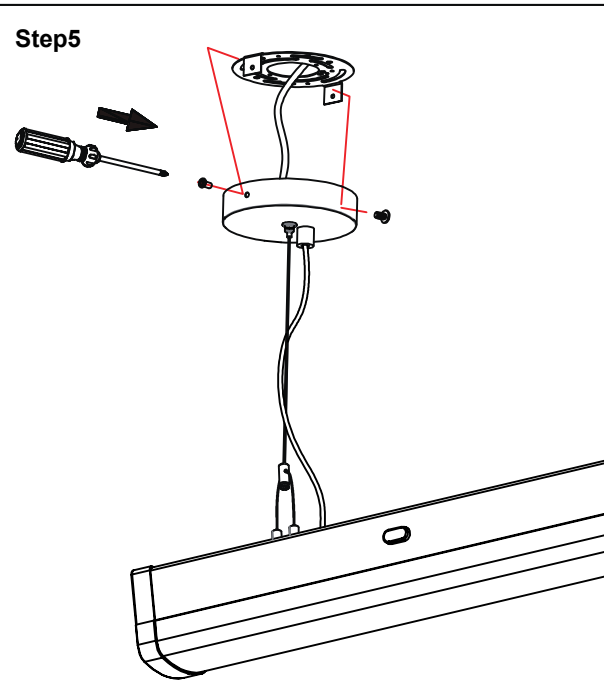
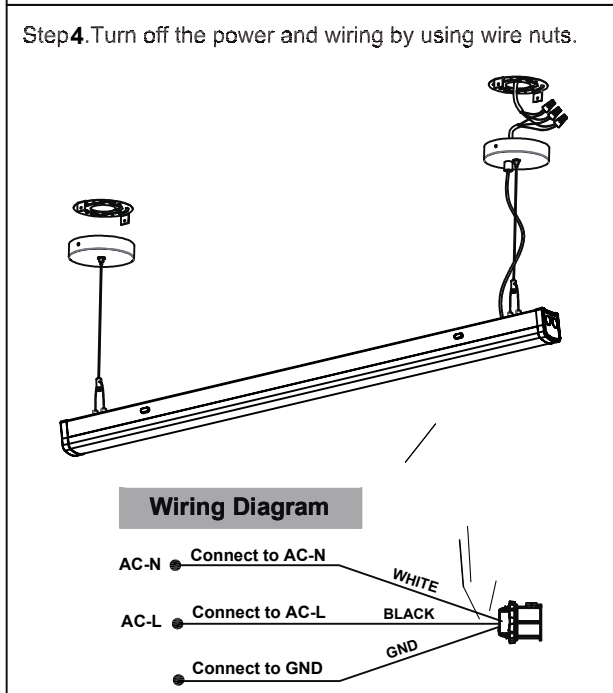
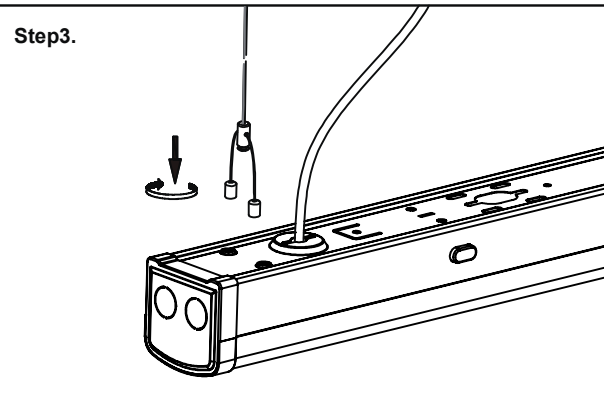
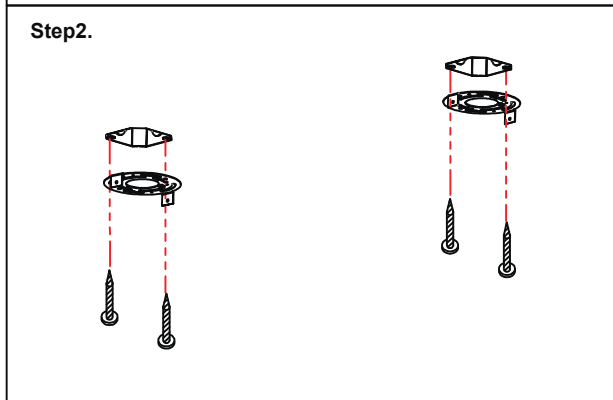
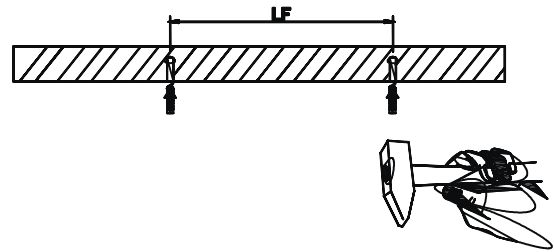




Installation manual
Suspending installation



Step1. Punch a hole on the wall and put the expansion tube inside.





Important

Read this instruction carefully before installation. Keep it for further reference.
Make electrical and grounded connections in accordance with the national electrical code and any applicable code. Always turn off the power supply before installation.
This product must be installed in accordance with the applicable installation code by a qualified electrician who is familiar with the construction and operation of the product and the hazards involved.

WARNING:

- ⚠ Risk of fire or electric shock. Fixture installation requires knowledge of luminaires electrical systems. If not qualified, DO NOT attempt installation. Contact a qualified electrician.
- ⚠ Risk of fire or electric shock. Suitable for wet locations. Always turn off the power supply before installation.
- ⚠ Risk of fire or electric shock. Suitable for non-insulated surface and frame. DO NOT cover fixture with insulation liner or similar material.
- ⚠ DO NOT install fixture on unstable, loose or easily breakable surface.
- ⚠ DO NOT exert force on the surface of the fixture.

Packing /weight

Model	Outer box (L*W*H)	Qty/Ctn (pcs)	N.W/pcs (lbs/Kg)	G.W/Ctn (lbs/Kg)
C2311-10W/2ft C2311-20W/2ft	25.79"x10.63"x8.66" 655*270*220mm	4	3.52/1.6	15.84/7.2
C2311-20W/4ft C2311-38W/4ft	49.21"x10.63"x8.66" 1250*270*220mm	4	5.79/2.63	25.3/11.5
C2311-30W/5ft C2311-50W/5ft	61.81"x10.63"x8.66" 1570*270*220mm	4	7.97/3.66	34.8/16.5
C2311-30W/6ft C2311-50W/6ft	74.01"x10.63"x8.66" 1880*270*220mm	4	10.29/4.79	46.3/21.6

Note

- 1.The installation and maintenance must be completed by electricians or professionals.
- 2.Please cut off the power before installation and maintenance.
- 3.The thermally insulating material is not allowed to cover the fixture.
- 4.Please keep away from the corrosive substance, and keep the fixture dry and clean.
- 5.Working temperature: -4°F~113°F, storage temperature: -22°F~140°F.